



## **revos** contact inserts offer many possibilities

The task of the contact inserts is distribution of power and signals. The contact inserts are available in 2- to 216-pin design. They are suitable for current from 4 to 100 A and voltages up to 5.5 kV.

**revos**<sup>MINI</sup> - Their especially compact design allows them to fit in applications for machine, control and switching systems, or also in small motors and lighting equipment, and also serve as classic contact inserts

for industrial heavy duty connectors.

**revos**<sup>BASIC</sup> is able to meet the toughest demands and so is used, for example, in the automotive industry, the machinery and equipment industry, in conveyor systems and in measurement and control technology.





# Contact inserts

## Contact inserts *revos* MINI



### 3-pole + ground



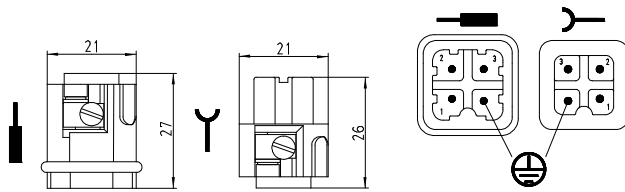
### 4-pole + ground



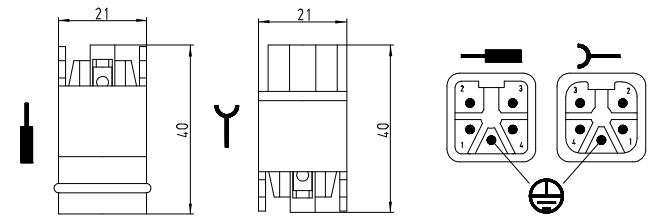
Description	Type	Part No.	P.U.
<b>Contact inserts <i>revos</i> MINI</b>			
Male insert	3-pole + ground		
Female insert	MIN STS 3 2,5 40	73.310.0353.0	10
Female insert	MIN BUS 3 2,5 40	73.300.0353.0	10
<b>Contact inserts <i>revos</i> MINI</b>			
Male insert	4-pole + ground		
Female insert	MIN STS 4 2,5 40 AG	73.310.0453.0	10
Female insert	MIN BUS 4 2,5 40 AG	73.300.0453.0	10
<b>Technical data</b>			
<b>Rated voltage</b>		<b>3-pole + ground</b>	<b>4-pole + ground</b>
Installed in a plastic housing	400 V		
Installed in a metal housing	L-PE 250 V / L-L 400 V	400 V	
Rated voltage according to UL/CSA	600 V		
<b>Rated impulse voltage</b>			
Plastic housing	4 kV		
Metal housing	4 kV		
Rated current	10 A		
Degree of pollution	3		
<b>Rated cross section</b>			
EN 60999	0,5 – 2,5 mm <sup>2</sup>		
UL	18 – 16 AWG	22 – 12 AWG	
CSA	22 – 12 AWG		
<b>Contacts</b>			
Material	Copper alloy		
Surface	Sn	Ag	
Insulation strip length	4 mm		
Contact resistance	≤ 2 mΩ	≤ 1,5 mΩ	
Mating cycles	50	200	
<b>Screws</b> head design / recomm. torque			
Mounting screws	M3 / 0,5 – 0,7 Nm		
Clamping screws	M3 / 0,5 – 0,7 Nm		
Ground conductor screws	M3 / 0,5 – 0,7 Nm		
Temperature range	-40 ... +120 °C		
<b>Housing <i>revos</i> MINI</b>			Page 114–117

## Dimensions

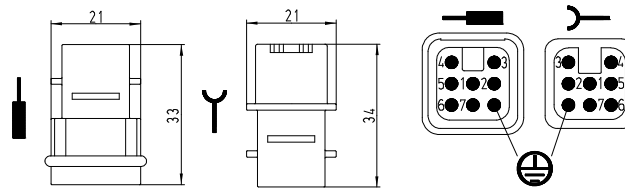
### 3-pole + ground



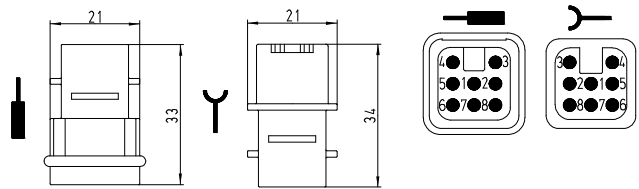
### 4-pole + ground

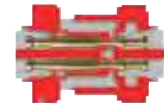


### 7-pole + ground



### 8-pole





# Contact inserts

## Contact inserts *revos* MINI



### 7-pole + ground



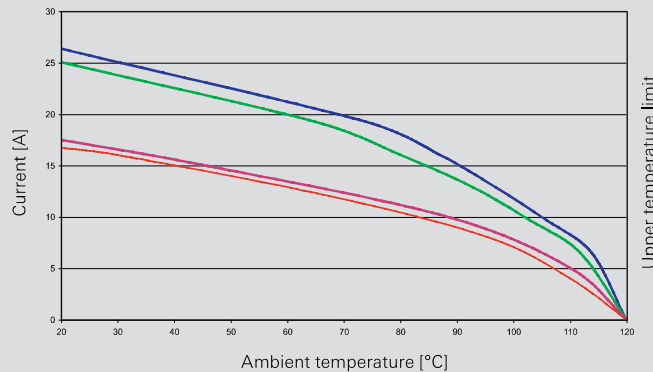
### 8-pole



Description	Type	Part No.	P.U.
<b>Contact inserts <i>revos</i> MINI</b>			
<b>7-pole + ground</b>			
Male insert without crimp contacts	MIN STC 7 25	73.710.0753.0	10
Female insert without crimp contacts	MIN BUC 7 25	73.700.0753.0	10
<b>Contact inserts <i>revos</i> MINI</b>			
<b>8-pole</b>			
Male insert without crimp contacts	MIN STC 8 05	73.710.0853.0	10
Female insert without crimp contacts	MIN BUC 8 05	73.700.0853.0	10
<b>Contacts for crimp version</b>			
	mm <sup>2</sup> / AWG		
Male reel contacts, Sn	0.2 – 0.56 / 24-20	05.544.0900.0	5000
Female reel contacts, Sn	0.2 – 0.56 / 24-20	02.124.0900.0	5000
Male reel contacts, Sn	0.75 – 1.5 / 18-16	05.544.1000.0	5000
Female reel contacts, Sn	0.75 – 1.5 / 18-16	02.124.1000.0	5000
Male single contacts, Sn	0.2 – 0.56 / 24-20	05.544.0929.0	200
Female single contacts, Sn	0.2 – 0.56 / 24-20	02.124.0929.0	200
Male single contacts, Sn	0.75 – 1.5 / 18-16	05.544.1029.0	200
Female single contacts, Sn	0.75 – 1.5 / 18-16	02.124.1029.0	200
Male reel contacts, Au	0.5 – 1.5 / 20-16	05.544.1400.0	5000
Female reel contacts, Au	0.5 – 1.5 / 20-16	02.124.1400.0	5000
Male single contacts, Au	0.5 – 1.5 / 20-16	05.544.1429.0	200
Female single contacts, Au	0.5 – 1.5 / 20-16	02.124.1429.0	200
<b>Technical data</b>		<b>7-pole + ground</b>	<b>8-pole</b>
<b>Rated voltage</b>			
Installed in a plastic housing	250 V	50 V	
Installed in a metal housing	50 V	50 V	
Rated voltage according to UL/CSA	600 V (Metal housing 42 V)	42 V	
<b>Rated impulse voltage</b>			
Plastic housing	4 kV	0.8 kV	
Metal housing	0.8 kV		
Rated current	10 A		
Degree of pollution	3		
<b>Rated cross section</b>			
EN 60999	0.2 – 1.5 mm <sup>2</sup>		
UL	18 – 16 AWG		
CSA	24 – 16 AWG		
<b>Contacts</b>			
Material	Copper alloy		
Surface	Au or SN		
Insulation strip length	4 mm		
Contact resistance	4 mΩ		
Mating cycles	Sn 50 / Au 500		
<b>Screws</b>			
Mounting screws	M3 / 0.5 – 0.7 Nm		
Clamping screws	-		
Ground conductor screws	-		
Temperature range	-40 – +120 °C		
Description	Type	Part No.	P.U.
<b>Accessories</b>			
Crimping tool		95.101.0800.0	1
Crimping die	“E”	05.502.2400.0	1
Contact positioner	“2”	05.502.3200.0	1
Extraction tool		05.502.0000.0	1
<b>Housing <i>revos</i> MINI</b>		Page 114–117	

**Derating curve**  
according to IEC 60512 sec. 3  
*revos* MINI  
10 A / 2.5 mm<sup>2</sup> / 1.5 mm<sup>2</sup>

- 3-pole
- 4-pole
- 7-pole
- 8-pole





# Contact inserts

## Contact inserts *revos* MINI



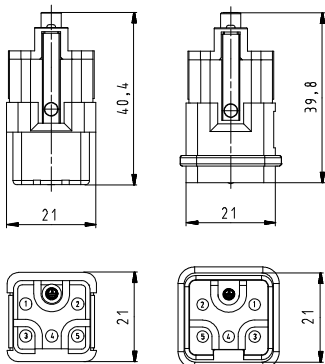
### 5-pole + ground



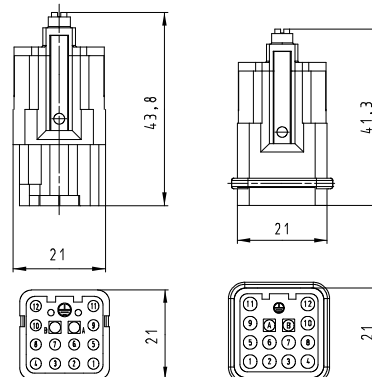
Description	Type	Part No.	P.U.
<b>Contact inserts <i>revos</i> MINI</b>			
<b>5-pole + ground</b>			
Male insert without crimp contacts	MIN STC 5 25 AG	73.710.0553.0	10
Female insert without crimp contacts	MIN BUC 5 25 AG	73.700.0553.0	10
<b>Contacts for crimp version</b>			
	mm <sup>2</sup> / AWG, turned ø 2.5 mm		
Male insert	0.5 / 20	05.543.70xx.0	200
Female insert	0.5 / 20	02.123.70xx.0	200
Male insert	0.75 - 1 / 18	05.543.71xx.0	200
Female insert	0.75 - 1 / 18	02.123.71xx.0	200
Male insert	1.5 / 16	05.543.72xx.0	200
Female insert	1.5 / 16	02.123.72xx.0	200
Male insert	2.5 / 14	05.543.73xx.0	200
Female insert	2.5 / 14	02.123.73xx.0	200
Male insert	4 / 12	05.543.74xx.0	200
Female insert	4 / 12	02.123.74xx.0	200
Surface	silver-plated xx = 02 / gold-plated xx = 01		
<b>Technical data</b>			
<b>Rated voltage</b>			
Installed in a plastic housing	L-PE 250 V / L-L 400 V		
Installed in a metal housing	L-PE 250 V / L-L 400 V		
Rated voltage according to UL/CSA	600 V		
<b>Rated impulse voltage</b>			
Plastic housing	6 kV		
Metal housing	6 kV		
Rated current	16 A		
Degree of pollution	3		
<b>Rated cross section</b>			
EN 60999	0.5 - 4 mm <sup>2</sup> , ground: 2.5 mm <sup>2</sup>		
UL	20 - 12 AWG		
CSA	20 - 12 AWG		
<b>Contacts</b>			
Material	Copper alloy		
Surface	Au or Ag		
Mating cycles	200		
<b>Screws</b>			
	head design / recomm. torque		
Mounting screws	M3 / 0.5 - 0.7 Nm		
Clamping screws	-		
Ground conductor screws	M3 / 0.5 - 0.7 Nm		
Temperature range	-40 ... +120 °C		
Description	Type	Part No.	P.U.
<b>Accessories</b>			
Crimping tool		95.101.0800.0	1
Crimping die	"B"	05.502.2100.0	1
Contact positioner	"3"	05.502.3300.0	1
Extraction tool		05.502.3500.0	1
<b>Housing <i>revos</i> MINI</b>		Page 114-117	

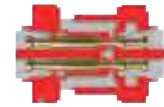
## Dimensions

### 5-pole + ground



### 12-pole + ground





# Contact inserts

## Contact inserts *revos* MINI



### 12-pole + ground



### Coding piece

Testing potentials see page 272



### Star jumper



### Triangle jumper



If the triangle jumper is used, the high version of the housing upper part is required (76.362.0736.x/ see p. 114)

Description	Type	Part No.	P.U.
<b>Contact inserts <i>revos</i> MINI</b>			
<b>12-pole + ground</b>			
Male insert without crimp contacts	MIN STC 12 40 AG	73.710.1253.0	10
Female insert without crimp contacts	MIN BUC 12 40 AG	73.700.1253.0	10
<b>Contacts for crimp version</b>			
	mm <sup>2</sup> / AWG, turned ø 1.6 mm		
Male insert	0.14 – 0.37 / 26 – 22	05.544.4129.x	100
Female insert	0.14 – 0.37 / 26 – 22	02.125.4129.x	100
Male insert	0.5 / 20	05.544.4229.x	100
Female insert	0.5 / 20	02.125.4229.x	100
Male insert	0.75 – 1.0 / 18	05.544.4329.x	100
Female insert	0.75 – 1.0 / 18	02.125.4329.x	100
Male insert	1.5 / 16	05.544.4429.x	100
Female insert	1.5 / 16	02.125.4429.x	100
Male insert	2.5 / 14	05.544.4529.x	100
Female insert	2.5 / 14	02.125.4529.x	100
Surface	silver-plated x = 8 / gold-plated x = 7		
<b>LWL POF Contacts Ø 1,6</b>			
Male insert		02.125.2421.0	5
Female insert		05.544.8121.0	5

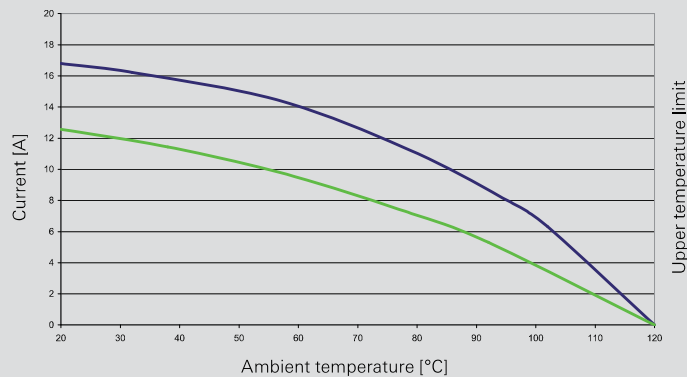
Technical data	
<b>Rated voltage</b>	
Installed in a plastic housing	L-PE 400 V / L-L 690 V
Installed in a metal housing	L-PE 400 V / L-L 690 V
Rated voltage according to UL/CSA	600 V
<b>Rated impulse voltage</b>	
Plastic housing	4 kV
Metal housing	4 kV
Rated current	10 A (UL/CSA 14 A)
Degree of pollution	3
<b>Rated cross section</b>	
EN 60999	0,14 – 2,5 mm <sup>2</sup> , ground: 2,5 mm <sup>2</sup>
UL	24 - 12 AWG
CSA	24 - 12 AWG
<b>Contacts</b>	
Material	Copper alloy
Surface	Au or Ag
Mating cycles	200
<b>Screws</b>	
head design / recomm. torque	
Mounting screws	M3 / 0.5 – 0.7 Nm
Clamping screws	-
Ground conductor screws	M3 / 0.5 – 0.7 Nm
Temperature range	-40 ... +120 °C

Description	Type	Part No.	P.U.
<b>Accessories</b>			
Crimping tool		95.101.0800.0	1
Crimping die	"B"	05.502.2100.0	1
Contact positioner	"1"	05.502.3100.0	1
Extraction tool		05.502.0710.0	1
Set of tools for optical fiber POF contacts		95.101.2000.0	1
Coding piece	MIN KOD 12	05.568.0353.0	20
Star jumper	MIN BR ST 12 BU	27.280.4327.0	5
Triangle jumper	MIN BR DR 12 BU	27.280.4227.0	5
<b>Housing <i>revos</i> MINI</b>		Page 114-117	

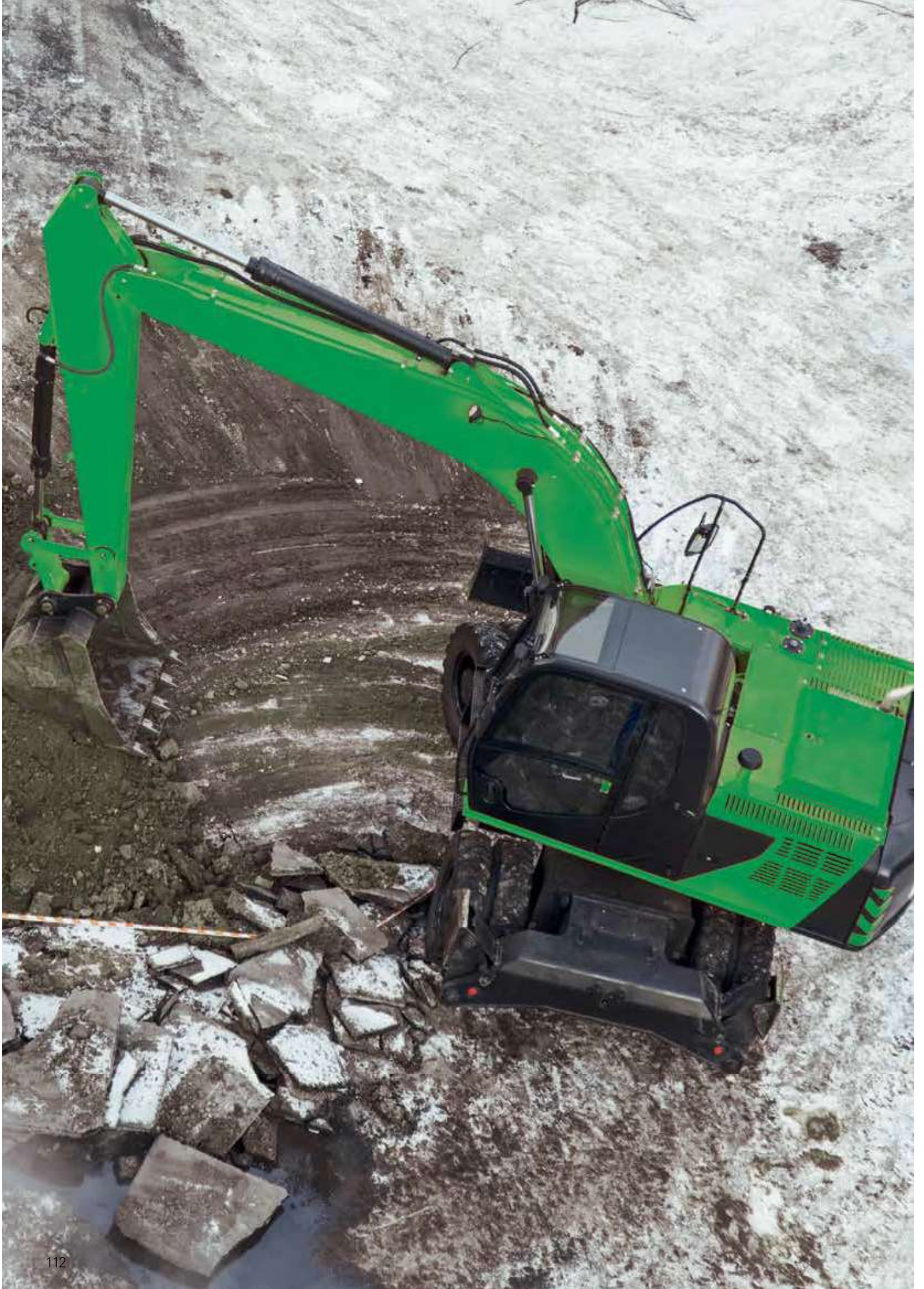
### Derating curve according to IEC 60512 sec. 3

*revos* MINI  
wire size 1.5 mm<sup>2</sup>

- 5-pole
- 12-pole







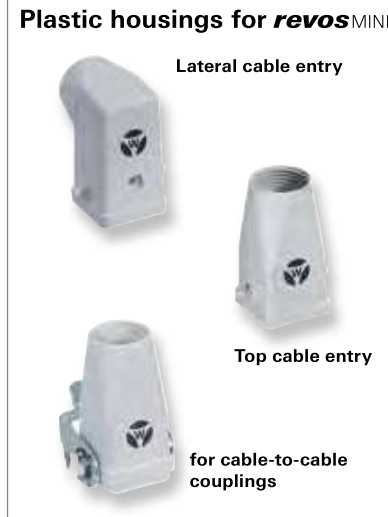
## ***revos* housing components – simply, safely protected**

The ***revos*** housing components for heavy duty connectors consist of high-quality aluminum and zinc die casting. Wieland has designed the housings to be corrosion-resistant, water and dust tight, and usable under the toughest environmental conditions.





# Hoods



Description	Type	M	Part No.	P.U.
<b>Hoods</b>	<b>Metal housings for revos<sup>MINI</sup></b>			
<b>Lateral cable entry M20</b>				
with cable gland, IP54, $\rightarrow \text{Ø} \leftarrow 3 - 14.5 \text{ mm}$	MIN GOT GA 7 M20 25 Z0	20	76.350.0736.0	10
with threaded collar	MIN GOT GA 7 M20 25 Z1	20	76.350.0736.1	10
<b>Top cable entry M20</b>				
with cable gland, IP54, $\rightarrow \text{Ø} \leftarrow 3 - 14.5 \text{ mm}$	MIN GOT GB 7 M20 25 Z0	20	76.352.0736.0	10
with threaded collar	MIN GOT GB 7 M20 25 Z1	20	76.352.0736.1	10
<b>for cable-to-cable couplings M20</b>				
with cable gland, IP54, $\rightarrow \text{Ø} \leftarrow 3 - 14.5 \text{ mm}$	MIN GOT GC 7 M20 25 Z0	20	76.372.0736.0	10
with threaded collar	MIN GOT GC 7 M20 25 Z1	20	76.372.0736.1	10
<b>Hoods, increased height design</b>				
<b>Top cable entry M20</b>				
with cable gland, IP54, $\rightarrow \text{Ø} \leftarrow 3 - 14.5 \text{ mm}$	MIN GOT GB7HM20 25 Z0	20	76.362.0736.0	1
with threaded collar	MIN GOT GB7HM20 25 Z1	20	76.362.0736.1	1
with cable gland, IP68, $\rightarrow \text{Ø} \leftarrow 6 - 12 \text{ mm}$	MIN GOT GB7HM20 25 Z5	20	76.362.0736.5	1
<b>Hoods</b>	<b>Plastic housings for revos<sup>MINI</sup></b>			
<b>Lateral cable entry M20</b>				
with threaded collar	MIN GOT GA 7 M20 25 P1	20	76.350.0760.1	10
with cable gland, IP68, $\rightarrow \text{Ø} \leftarrow 6 - 12 \text{ mm}$	MIN GOT GA 7 M20 25 P5	20	76.350.0760.5	10
<b>Top cable entry M20</b>				
with cable gland, IP54, $\rightarrow \text{Ø} \leftarrow 3 - 14.5 \text{ mm}$	MIN GOT GB 7 M20 25 P0	20	76.352.0760.0	10
with threaded collar	MIN GOT GB 7 M20 25 P1	20	76.352.0760.1	10
with cable gland, IP68	MIN GOT GB 7 M20 25 P5	20	76.352.0760.5	10
<b>for cable-to-cable couplings M20</b>				
with threaded collar	MIN GOT GC 7 M20 25 P1	20	76.372.0760.1	10
with cable gland, IP68, $\rightarrow \text{Ø} \leftarrow 6 - 12 \text{ mm}$	MIN GOT GC 7 M20 25 P5	20	76.372.0760.5	10

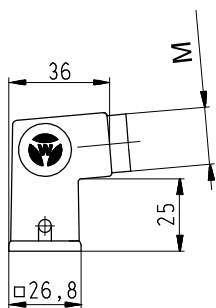
Technical data		
Material	metal	plastic
	Die cast zinc alloy	Polyamide
Surface	silicon-free	
Locking levers	zinc-plated steel	
Gasket	NBR	
<b>Degree of protection</b>		
with latched locking levers	IP54	
with appropriate cable glands	IP65	
Temperature range	-40 ... +120 °C	

Description	Type	Part No.	P.U.
<b>Accessories</b>			
<b>Cover without gasket for male insert</b>			
Metal, nickel-plated	MIN AD DA 7 Z	07.417.6729.0	10
Plastic material, gray	MIN AD DA 7 P	07.417.6753.0	10
<b>Cover with gasket for female insert</b>			
Metal, nickel-plated	MIN AD DB 7 Z	07.417.6829.0	10
Plastic material, gray	MIN AD DB 7 P	07.417.6853.0	10
<b>Contact inserts</b>		Page 28-31	

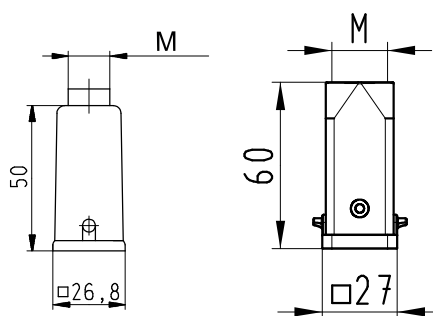
## Dimensions

### Hoods

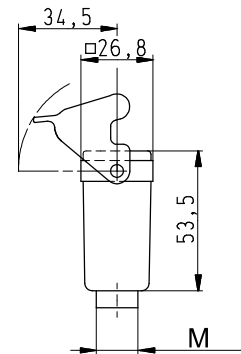
#### Lateral cable entry



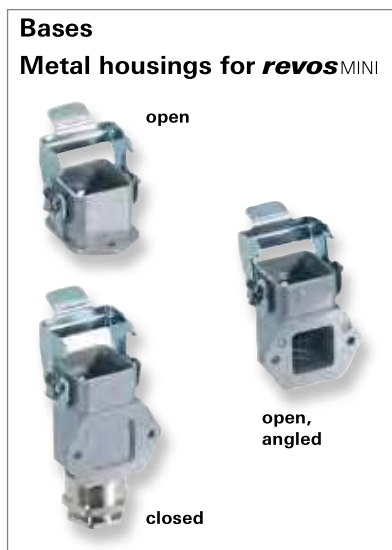
#### Top cable entry



#### for cable-to-cable couplings



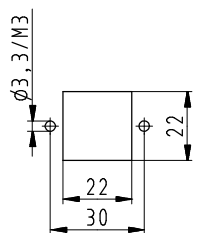
# Bases



Description	Type	M	Part No.	P.U.
<b>Bases</b>	<b>Metal housings for revos<sup>MINI</sup></b>			
open	MIN GUT GA 7 25 Z	-	76.320.0729.0	10
open, angled	MIN GUT GB 7 25 Z	-	76.321.0729.0	10
closed M20				
with cable gland, IP54, $\rightarrow \text{Ø} \leftarrow 3 - 14.5 \text{ mm}$	MIN GUT GC 7 M20 25 Z0	20	76.322.0736.0	10
with threaded collar	MIN GUT GC 7 M20 25 Z1	20	76.322.0736.1	10
<b>Bases</b>	<b>Plastic housings for revos<sup>MINI</sup></b>			
open	MIN GUT GA 7 25 P	-	76.320.0753.0	10
open, angled	MIN GUT GB 7 25 P	-	76.321.0753.0	10
closed M20				
with cable gland, IP68, $\rightarrow \text{Ø} \leftarrow 6 - 12 \text{ mm}$	MIN GUT GC 7 M20 25 P5	20	76.322.0760.5	10

Technical data		
Material	metal	plastic
	Die cast zinc alloy	Polyamide
Surface	silicon-free	
Locking levers	zinc-plated steel	
Gasket	NBR	
Degree of protection		
with latched locking levers	IP54	
with appropriate cable glands	IP65	
Temperature range	-40 ... +120 °C	

Description	Type	Part No.	P.U.
<b>Accessories</b>			
<b>Cover without gasket for male insert</b>			
Metal, nickel-plated	MIN AD DA 7 Z	07.417.6729.0	10
Plastic material, gray	MIN AD DA 7 P	07.417.6753.0	10
<b>Cover with gasket for female insert</b>			
Metal, nickel-plated	MIN AD DB 7 Z	07.417.6829.0	10
Plastic material, gray	MIN AD DB 7 P	07.417.6853.0	10
<b>Contact inserts</b>		Page 28-31	



## Dimensions

### Bases

