



revos contact inserts offer many possibilities

The task of the contact inserts is distribution of power and signals. The contact inserts are available in 2- to 216-pin design. They are suitable for current from 4 to 100 A and voltages up to 5.5 kV.

revos^{MINI} - Their especially compact design allows them to fit in applications for machine, control and switching systems, or also in small motors and lighting equipment, and also serve as classic contact inserts

for industrial heavy duty connectors.

revos^{BASIC} is able to meet the toughest demands and so is used, for example, in the automotive industry, the machinery and equipment industry, in conveyor systems and in measurement and control technology.





500 V contact inserts, screw connection

Contact inserts *revos* BASIC



6-pole + ground Size 6



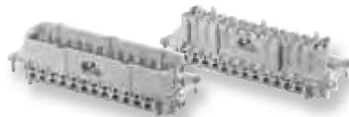
10-pole + ground Size 10



16-pole + ground Size 16



24-pole + ground Size 24



32-pole + ground Size 32



48-pole + ground Size 48

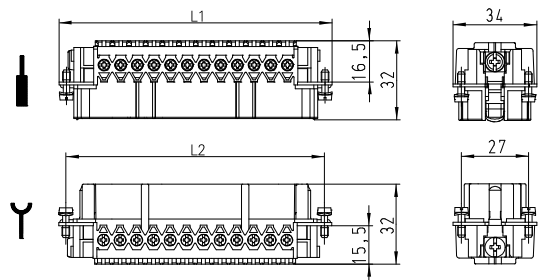


* Preparation of the wire required:
ferrule, ultrasonic welding for
flexible cables

Description	Type	Part No.	P.U.
Contact inserts <i>revos</i> BASIC 500 V			
6-pole + ground			
Male insert with wire protection, Sn	BAS STS 6 2,5 50	70.310.0640.0	10
Male insert with wire protection, Ag	BAS STS 6 2,5 50 AG	70.310.0602.0	10
Male insert with wire protection, Au	BAS STS 6 2,5 50 AU	70.311.0640.0	10
Male insert without wire protection, Sn*	BAS STS OD 6 2,5 50	70.312.0640.0	10
Female insert with wire protection, Sn	BAS BUS 6 2,5 50	70.300.0640.0	10
Female insert with wire protection, Ag	BAS BUS 6 2,5 50 AG	70.300.0602.0	10
Female insert with wire protection, Au	BAS BUS 6 2,5 50 AU	70.301.0640.0	10
Female insert without wire protection, Sn*	BAS BUS OD 6 2,5 50	70.302.0640.0	10
Contact inserts <i>revos</i> BASIC 500 V			
10-pole + ground			
Male insert with wire protection, Sn	BAS STS 10 2,5 50	70.310.1040.0	10
Male insert with wire protection, Ag	BAS STS 10 2,5 50 AG	70.310.1002.0	10
Male insert with wire protection, Au	BAS STS 10 2,5 50 AU	70.311.1040.0	10
Male insert without wire protection, Sn*	BAS STS OD 10 2,5 50	70.312.1040.0	10
Female insert with wire protection, Sn	BAS BUS 10 2,5 50	70.300.1040.0	10
Female insert with wire protection, Ag	BAS BUS 10 2,5 50 AG	70.300.1002.0	10
Female insert with wire protection, Au	BAS BUS 10 2,5 50 AU	70.301.1040.0	10
Female insert without wire protection, Sn*	BAS BUS OD 10 2,5 50	70.302.1040.0	10
Contact inserts <i>revos</i> BASIC 500 V			
16-pole + ground			
Male insert with wire protection, Sn	BAS STS 16 2,5 50	70.310.1640.0	10
Male insert with wire protection, Ag	BAS STS 16 2,5 50 AG	70.310.1602.0	10
Male insert with wire protection, Au	BAS STS 16 2,5 50 AU	70.311.1640.0	10
Male insert without wire protection, Sn*	BAS STS OD 16 2,5 50	70.312.1640.0	10
Female insert with wire protection, Sn	BAS BUS 16 2,5 50	70.300.1640.0	10
Female insert with wire protection, Ag	BAS BUS 16 2,5 50 AG	70.300.1602.0	10
Female insert with wire protection, Au	BAS BUS 16 2,5 50 AU	70.301.1640.0	10
Female insert without wire protection, Sn*	BAS BUS OD 16 2,5 50	70.302.1640.0	10
Contact inserts <i>revos</i> BASIC 500 V			
24-pole + ground			
Male insert with wire protection, Sn	BAS STS 24 2,5 50	70.310.2440.0	10
Male insert with wire protection, Ag	BAS STS 24 2,5 50 AG	70.310.2402.0	10
Male insert with wire protection, Au	BAS STS 24 2,5 50 AU	70.311.2440.0	10
Male insert without wire protection, Sn*	BAS STS OD 24 2,5 50	70.312.2440.0	10
Female insert with wire protection, Sn	BAS BUS 24 2,5 50	70.300.2440.0	10
Female insert with wire protection, Ag	BAS BUS 24 2,5 50 AG	70.300.2402.0	10
Female insert with wire protection, Au	BAS BUS 24 2,5 50 AU	70.301.2440.0	10
Female insert without wire protection, Sn*	BAS BUS OD 24 2,5 50	70.302.2440.0	10
Contact inserts <i>revos</i> BASIC 500 V			
32-pole + ground			
Male insert with wire protection, Sn, marked 1-16, 17-32	BAS STS 32 2,5 50	70.310.3253.0	5
Male insert with wire protection, Ag, marked 1-16, 17-32	BAS STS 32 2,5 50 AG	70.310.3202.0	5
Female insert with wire protection, Sn, marked 1-16, 17-32	BAS BUS 32 2,5 50	70.300.3253.0	5
Female insert with wire protection, Ag, marked 1-16, 17-32	BAS BUS 32 2,5 50 AG	70.300.3202.0	5
Contact inserts <i>revos</i> BASIC 500 V			
48-pole + ground			
Male insert with wire protection, Sn, marked 1-24, 25-48	BAS STS 48 2,5 50	70.310.4840.0	5
Female insert with wire protection, Sn, marked 1-24, 25-48	BAS BUS 48 2,5 50	70.300.4840.0	5
Technical data			
Rated voltage	500 V		
Rated voltage according to UL/CSA	600 V		
Rated impulse voltage	6 kV		
Rated current	16 A		
Degree of pollution	3		
Rated cross section			
EN 60999	0.5 – 2.5 mm ²		
UL	20 – 12 AWG		
CSA	20 – 12 AWG		
Contacts			
Material	Copper alloy		
Surface	Sn, Ag, Au		
Insulation strip length	7 mm		
Contact resistance	≤ 1,5 mΩ		
Mating cycles	Sn 200 / Ag, Au 500		
Screws			
head design / recomm. torque			
Mounting screws	H1 / 0.5 – 0.7 Nm		
Clamping screws	H1 / 0.5 – 0.7 Nm		
Ground conductor screws	H2 / 1.2 – 1.6 Nm		
Temperature range			
-40 ... +120 °C			
Housing <i>revos</i> BASIC / <i>revos</i> BASIC M		Type	Page
Size	6/6H	118–125, 190–191, 194, 196	
Size	10/10H	126–143, 190–192, 198, 200	
Size	16/16H	144–163, 190–191, 202, 204	
Size	24/24H	164–183, 190–191, 206, 208	
Size	32	184–185	
Size	48	186–189	

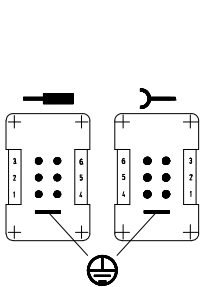
Dimensions

6-pole + ground – 24-pole + ground

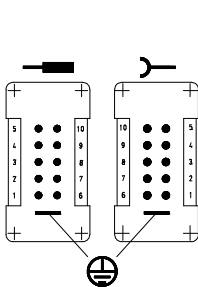


Number of poles	L1 [mm]	L2 [mm]
6	50.5	44.0
10	63.0	57.0
16	83.0	77.5
24	110.8	104.0

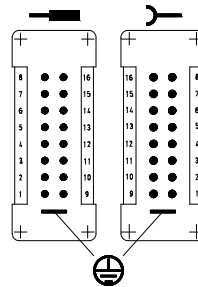
6-pole + ground



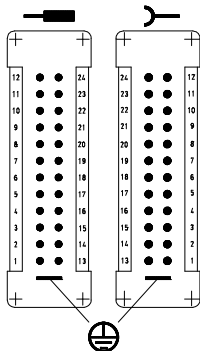
10-pole + ground



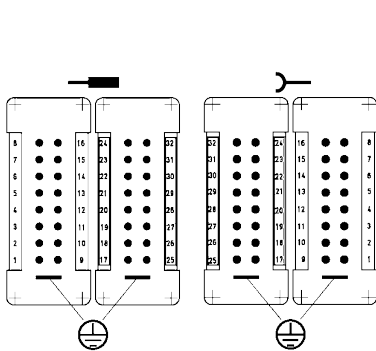
16-pole + ground



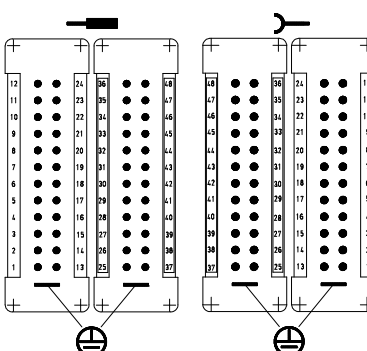
24-pole + ground



32-pole + ground

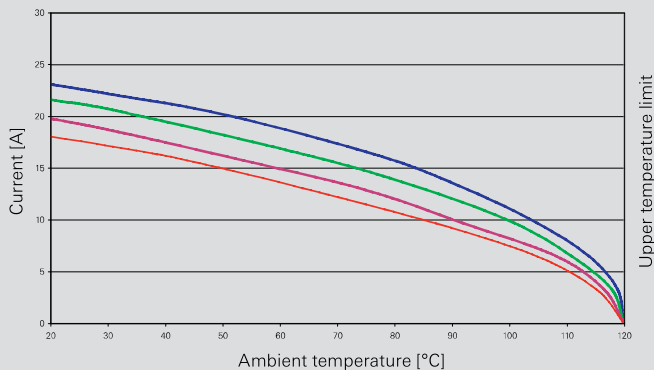


48-pole + ground



Derating curve
according to IEC 60512 sec. 3
revos^{BASIC}
Screw version 500V / 16 A / 2.5 mm²

- 6-pole
- 10-pole
- 16-pole
- 24-pole



Hoods, single locking lever

Size 6

Hoods Size 6



Lateral cable entry



Top cable entry



Multipole connectors for cable-to-cable couplings

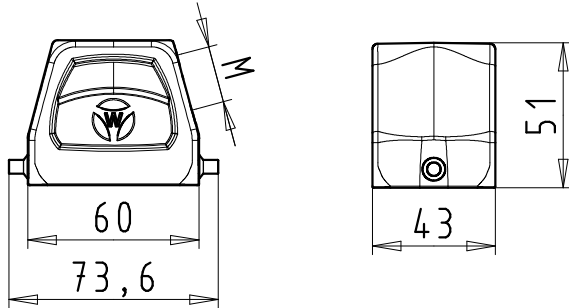


Description	Type	M	Part No.	P.U.
Hoods, size 6				
Aluminum housing				
Lateral cable entry M20				
with cable gland, IP54, $\rightarrow \text{Ø} \leftarrow$ 3 – 14.5 mm	BAS GOT GG 6 M20 A0	20	70.350.0635.0	1
with threaded collar	BAS GOT GG 6 M20 A1	20	70.350.0635.1	1
Lateral cable entry M25				
with cable gland, IP54, $\rightarrow \text{Ø} \leftarrow$ 7.5 – 19 mm	BAS GOT GG 6 M25 A0	25	70.353.0635.0	1
with threaded collar	BAS GOT GG 6 M25 A1	25	70.353.0635.1	1
Top cable entry M20				
with cable gland, IP54, $\rightarrow \text{Ø} \leftarrow$ 3 – 14.5 mm	BAS GOT GI 6 M20 A0	20	70.352.0635.0	1
with threaded collar	BAS GOT GI 6 M20 A1	20	70.352.0635.1	1
Top cable entry M25				
with cable gland, IP54, $\rightarrow \text{Ø} \leftarrow$ 7.5 – 19 mm	BAS GOT GI 6 M25 A0	25	70.354.0635.0	1
with threaded collar	BAS GOT GI 6 M25 A1	25	70.354.0635.1	1
Multipole connectors for cable-to-cable couplings M20				
with cable gland, IP54, $\rightarrow \text{Ø} \leftarrow$ 3 – 14.5 mm	BAS GOT GI 6 M20 A0	20	70.352.0635.0	1
with cable gland, IP54, $\rightarrow \text{Ø} \leftarrow$ 3 – 14.5 mm Locking levers and gasket	BAS GOT GL 6 M20 A0	20	70.372.0635.0	1
with threaded collar	BAS GOT GI 6 M20 A1	20	70.352.0635.1	1
with threaded collar Locking levers and gasket	BAS GOT GL 6 M20 A1	20	70.372.0635.1	1
Technical data				
Material	Die cast aluminum alloy			
Surface	silicon-free/-			
Locking levers at Multipole connectors	Handle: Polyamide, UL94-V0; stainless steel: V2A			
Gasket at Multipole connectors	NBR			
Degree of protection				
with latched locking levers	IP54			
with appropriate cable glands	IP65			
Temperature range	-40 ... +120 °C			
Description	Type	M	Part No.	P.U.
Accessories				
Cable gland IP68, plastic material, gray	Connection range 6 – 12 mm	20	Z5.507.1353.0	10
Cable gland IP68, nickel-plated brass	Connection range 8 – 13 mm	20	Z5.507.1321.0	10
Cable gland IP68, plastic material, gray	Connection range 7 – 16 mm	25	Z5.507.1553.0	10
Cable gland IP68, nickel-plated brass	Connection range 11 – 18 mm	25	Z5.507.1521.0	10
Strain relief IP54, nickel-plated brass	Connection range 9 – 13.5 mm	20	Z5.507.9621.0	10
Strain relief IP54, nickel-plated brass	Connection range 14 – 20 mm	25	Z5.507.9721.0	10
Contact inserts				
Size 6 see the product matrix			Page 24–25	

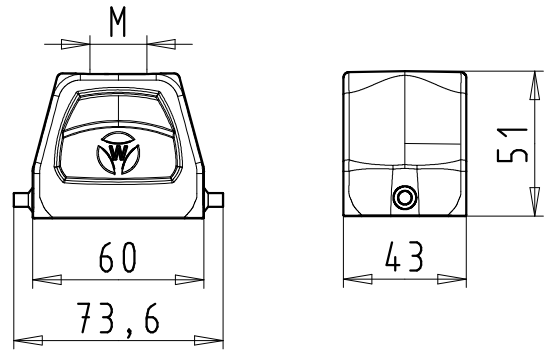
Dimensions

Hoods

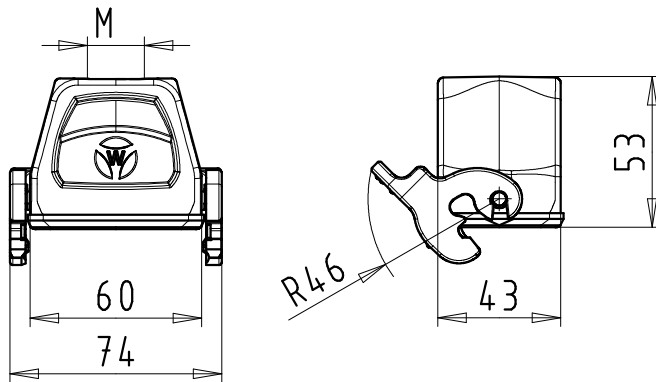
Lateral cable entry



Top cable entry



Multipole connectors for cable-to-cable couplings



Hoods, single locking lever Size 6H, increased height design

Hoods, Size 6H, increased height design

Lateral cable entry



Top cable entry



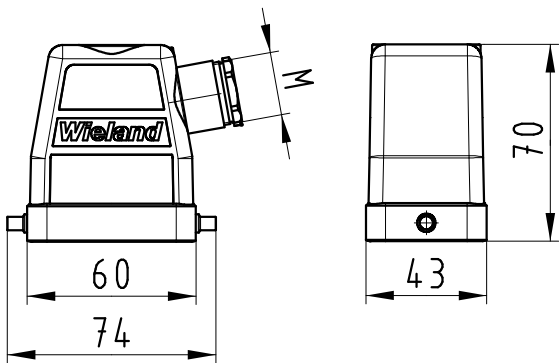
Description	Type	M	Part No.	P.U.
Hoods, size 6H				
Aluminum housing				
Lateral cable entry M25				
with cable gland, IP54, $\rightarrow \text{Ø} \leftarrow$ 7.5 – 19 mm	BAS GOT GG 6H M25 A0	25	73.350.0635.0	1
with threaded collar	BAS GOT GG 6H M25 A1	25	73.350.0635.1	1
Lateral cable entry M32				
with cable gland, IP54, $\rightarrow \text{Ø} \leftarrow$ 15 – 26.5 mm	BAS GOT GG 6H M32 A0	32	73.353.0635.0	1
with threaded collar	BAS GOT GG 6H M32 A1	32	73.353.0635.1	1
Top cable entry M25				
with cable gland, IP54, $\rightarrow \text{Ø} \leftarrow$ 7.5 – 19 mm	BAS GOT GI 6H M25 A0	25	73.352.0635.0	1
with threaded collar	BAS GOT GI 6H M25 A1	25	73.352.0635.1	1
Top cable entry M32				
with cable gland, IP54, $\rightarrow \text{Ø} \leftarrow$ 15 – 26.5 mm	BAS GOT GI 6H M32 A0	32	73.354.0635.0	1
with threaded collar	BAS GOT GI 6H M32 A1	32	73.354.0635.1	1
Technical data				
Material	Die cast aluminum alloy			
Surface	silicon-free			
Locking levers	–			
Gasket	–			
Degree of protection				
with latched locking levers	IP54			
with appropriate cable glands	IP65			
Temperature range	-40 ... +120 °C			
Description	Type	M	Part No.	P.U.
Accessories				
Cable gland IP68, plastic material, gray	Connection range 6 – 12 mm	20	Z5.507.1353.0	10
Cable gland IP68, plastic material, gray	Connection range 8 – 13 mm	20	Z5.507.1321.0	10
Cable gland IP68, plastic material, gray	Connection range 7 – 16 mm	25	Z5.507.1553.0	10
Cable gland IP68, nickel-plated brass	Connection range 11 – 18 mm	25	Z5.507.1521.0	10
Cable gland IP68, plastic material, gray	Connection range 10 – 21 mm	32	Z5.507.1753.0	10
Cable gland IP68, nickel-plated brass	Connection range 15 – 21 mm	32	Z5.507.1721.0	10
Strain relief IP54, nickel-plated brass	Connection range 9 – 13.5 mm	20	Z5.507.9621.0	10
Strain relief IP54, nickel-plated brass	Connection range 14 – 20 mm	25	Z5.507.9721.0	10
Strain relief IP54, nickel-plated brass	Connection range 19 – 29 mm	32	Z5.507.9821.0	10
Contact inserts				
Size 6H see the product matrix			Page 24–25	

Dimensions

Hoods

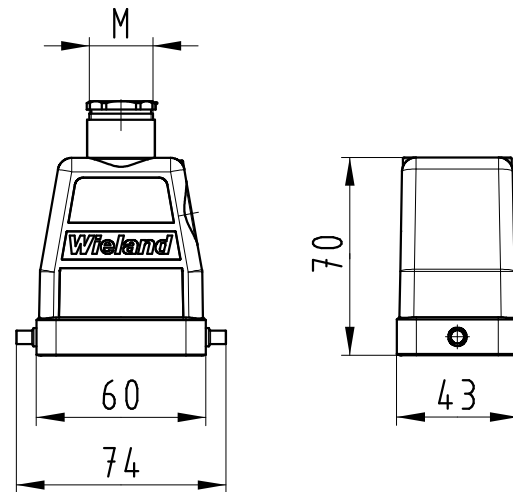
Lateral cable entry,

with cable gland
IP54



Top cable entry,

with cable gland
IP54



Bases, single locking lever

Size 6

Bases, Size 6



open

without cover
with cover



closed 1 cable gland

without cover
with cover



closed 1 cable gland, bottom

without cover
with cover

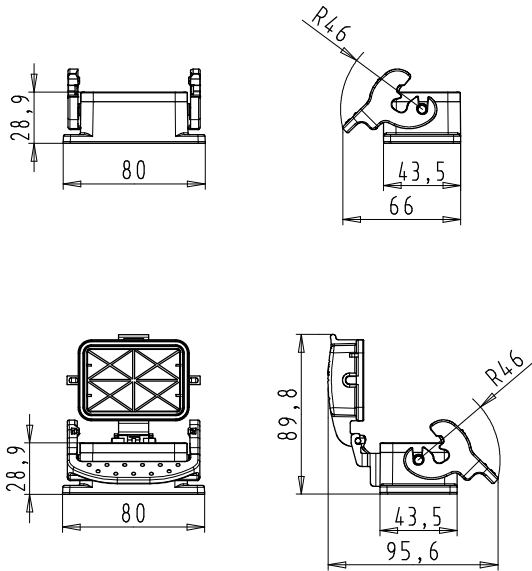


Description	Type	M	Part No.	P.U.
500 V Bases, size 6				
Aluminum housing				
Open-bottom base				
without cover	BAS GUT GK 6 A		70.320.0628.0	1
with cover	BAS GUT GP 6 A		70.325.0628.0	1
Closed-bottom base				
2 cable glands, 2 x M20				
without cover				
with cable gland, IP54, $\rightarrow \text{Ø} \leftarrow 3 - 14.5 \text{ mm}$	BAS GUT GL 6 M20 A0	20	70.330.0635.0	1
with threaded collar	BAS GUT GL 6 M20 A1	20	70.330.0635.1	1
with cover				
with cable gland, IP54, $\rightarrow \text{Ø} \leftarrow 3 - 14.5 \text{ mm}$	BAS GUT GR 6 M20 A0	20	70.340.0635.0	1
with threaded collar	BAS GUT GR 6 M20 A1	20	70.340.0635.1	1
2 cable glands, 2 x M25				
without cover				
with cable gland, IP54, $\rightarrow \text{Ø} \leftarrow 7.5 - 19 \text{ mm}$	BAS GUT GL 6 M25 A0	25	70.334.0635.0	1
with threaded collar	BAS GUT GL 6 M25 A1	25	70.334.0635.1	1
1 cable gland, left, 1 x M20				
without cover				
with cable gland, IP54, $\rightarrow \text{Ø} \leftarrow 3 - 14.5 \text{ mm}$	BAS GUT GM 6 M20 A0	20	70.331.0635.0	1
with threaded collar	BAS GUT GM 6 M20 A1	20	70.331.0635.1	1
with cover				
with cable gland, IP54, $\rightarrow \text{Ø} \leftarrow 3 - 14.5 \text{ mm}$	BAS GUT GS 6 M20 A0	20	70.341.0635.0	1
with threaded collar	BAS GUT GS 6 M20 A1	20	70.341.0635.1	1
1 cable gland, left, 1 x M25				
without cover				
with cable gland, IP54, $\rightarrow \text{Ø} \leftarrow 7.5 - 19 \text{ mm}$	BAS GUT GM 6 M25 A0	25	70.335.0635.0	1
with threaded collar	BAS GUT GM 6 M25 A1	25	70.335.0635.1	1
1 cable gland, right, 1 x M20				
without cover				
with cable gland, IP54, $\rightarrow \text{Ø} \leftarrow 3 - 14.5 \text{ mm}$	BAS GUT GN 6 M20 A0	20	70.332.0635.0	1
with threaded collar	BAS GUT GN 6 M20 A1	20	70.332.0635.1	1
with cover				
with cable gland, IP54, $\rightarrow \text{Ø} \leftarrow 3 - 14.5 \text{ mm}$	BAS GUT GT 6 M20 A0	20	70.342.0635.0	1
with threaded collar	BAS GUT GT 6 M20 A1	20	70.342.0635.1	1
1 cable gland, right, 1 x M25				
without cover				
with cable gland, IP54, $\rightarrow \text{Ø} \leftarrow 7.5 - 19 \text{ mm}$	BAS GUT GN 6 M25 A0	25	70.336.0635.0	1
with threaded collar	BAS GUT GN 6 M25 A1	25	70.336.0635.1	1
1 cable gland, bottom, 1 x M20				
without cover				
with cable gland, IP54, $\rightarrow \text{Ø} \leftarrow 3 - 14.5 \text{ mm}$	BAS GUT GO 6 M20 A0	20	70.333.0635.0	1
with threaded collar	BAS GUT GO 6 M20 A1	20	70.333.0635.1	1
with cover				
with cable gland, IP54, $\rightarrow \text{Ø} \leftarrow 3 - 14.5 \text{ mm}$	BAS GUT GU 6 M20 A0	20	70.343.0635.0	1
with threaded collar	BAS GUT GU 6 M20 A1	20	70.343.0635.1	1
1 cable gland, bottom, 1 x M25				
without cover				
with cable gland, IP54, $\rightarrow \text{Ø} \leftarrow 7.5 - 19 \text{ mm}$	BAS GUT GO 6 M25 A0	25	70.337.0635.0	1
with threaded collar	BAS GUT GO 6 M25 A1	25	70.337.0635.1	1
Technical data				
Material	Die cast aluminum alloy			
Surface	silicon-free			
Locking levers	Handle: Polyamide, UL94-V0; stainless steel: V2A			
Gasket	NBR			
Degree of protection				
with latched locking levers	IP54			
with appropriate cable glands	IP65			
Temperature range	-40 ... +120 °C			
Description	Type	M	Part No.	P.U.
Accessories				
Cable gland IP68, plastic material, gray	Connection range 6 – 12 mm	20	Z5.507.1353.0	10
Cable gland IP68, nickel-plated brass	Connection range 8 – 13 mm	20	Z5.507.1321.0	10
Cable gland IP68, plastic material, gray	Connection range 7 – 16 mm	25	Z5.507.1553.0	10
Cable gland IP68, nickel-plated brass	Connection range 11 – 18 mm	25	Z5.507.1521.0	10
Contact inserts				
Size 6 see the product matrix			Page 24–25	

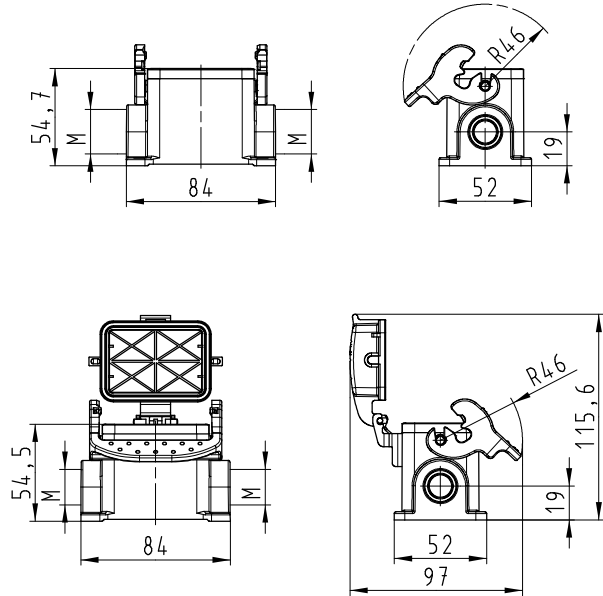
Dimensions

Bases

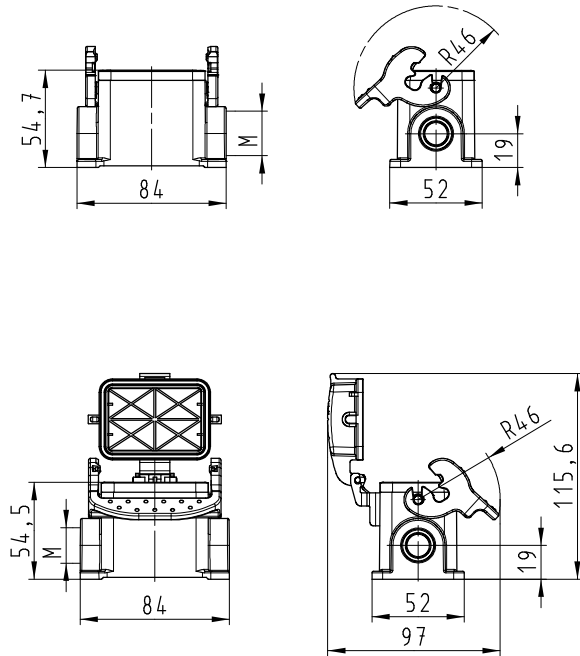
open



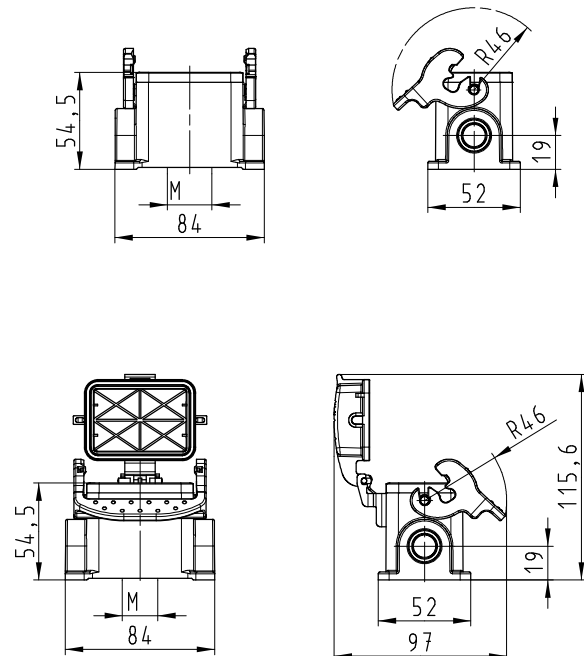
closed, 2 cable glands



closed, 1 cable gland



closed, 1 cable gland, bottom



Bases, single locking lever Size 6H, increased height design

Bases Size 6H, increased height design

closed M25 2 cable glands



closed M32 2 cable glands

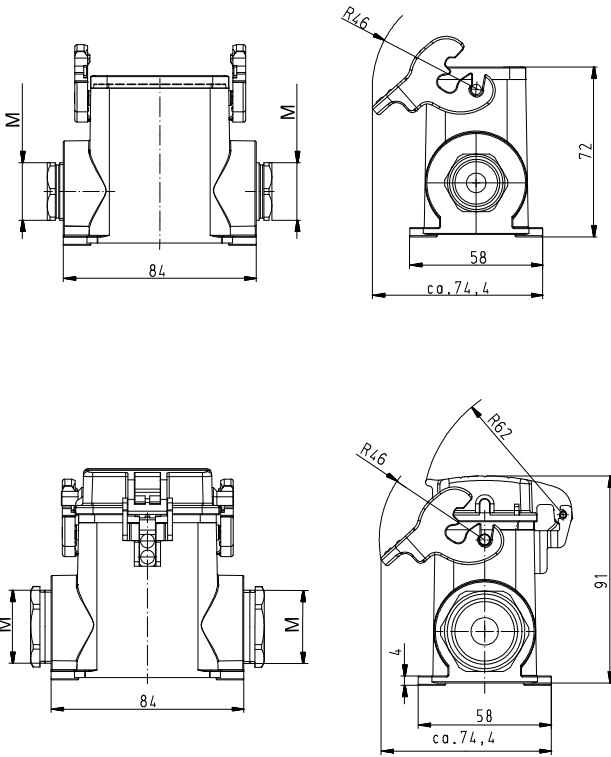


Description	Type	M	Part No.	P.U.
Bases, size 6H				
Aluminum housing				
Closed-bottom base				
2 cable glands, 2 x M25				
without cover				
with cable gland, IP54, $\rightarrow \varnothing $ 7.5 – 19 mm	BAS GUT GL 6H M25 A0	25	73.330.0635.0	1
with threaded collar	BAS GUT GL 6H M25 A1	25	73.330.0635.1	1
with cover				
with cable gland, IP54, $\rightarrow \varnothing $ 7.5 – 19 mm	BAS GUT GR 6H M25 A0	25	73.340.0635.0	1
with threaded collar	BAS GUT GR 6H M25 A1	25	73.340.0635.1	1
2 cable glands, 2 x M32				
without cover				
with cable gland, IP54, $\rightarrow \varnothing $ 15 – 26.5 mm	BAS GUT GL 6H M32 A0	32	73.334.0635.0	1
with threaded collar	BAS GUT GL 6H M32 A1	32	73.334.0635.1	1
with cover				
with cable gland, IP54, $\rightarrow \varnothing $ 15 – 26.5 mm	BAS GUT GR 6H M32 A0	32	73.344.0635.0	1
with threaded collar	BAS GUT GR 6H M32 A1	32	73.344.0635.1	1
1 cable gland, left, 1 x M25				
without cover				
with cable gland, IP54, $\rightarrow \varnothing $ 7.5 – 19 mm	BAS GUT GM 6H M25 A0	25	73.331.0635.0	1
with threaded collar	BAS GUT GM 6H M25 A1	25	73.331.0635.1	1
with cover				
with cable gland, IP54, $\rightarrow \varnothing $ 7.5 – 19 mm	BAS GUT GS 6H M25 A0	25	73.341.0635.0	1
with threaded collar	BAS GUT GS 6H M25 A1	25	73.341.0635.1	1
1 cable gland, left, 1 x M32				
without cover				
with cable gland, IP54, $\rightarrow \varnothing $ 15 – 26.5 mm	BAS GUT GM 6H M32 A0	32	73.335.0635.0	1
with threaded collar	BAS GUT GM 6H M32 A1	32	73.335.0635.1	1
with cover				
with cable gland, IP54, $\rightarrow \varnothing $ 15 – 26.5 mm	BAS GUT GS 6H M32 A0	32	73.345.0635.0	1
with threaded collar	BAS GUT GS 6H M32 A1	32	73.345.0635.1	1
1 cable gland, right, 1 x M25				
with cover				
with cable gland, IP54, $\rightarrow \varnothing $ 7.5 – 19 mm	BAS GUT GT 6H M25 A0	25	73.342.0635.0	1
with threaded collar	BAS GUT GT 6H M25 A1	25	73.342.0635.1	1
1 cable gland, right, 1 x M32				
with cover				
with cable gland, IP54, $\rightarrow \varnothing $ 15 – 26.5 mm	BAS GUT GT 6H M32 A0	32	73.346.0635.0	1
with threaded collar	BAS GUT GT 6H M32 A1	32	73.346.0635.1	1
Technical data				
Material	Die cast aluminum alloy			
Surface	silicon-free			
Locking levers	Handle: Polyamide, UL94-V0; stainless steel: V2A			
Gasket	NBR			
Degree of protection				
with latched locking levers	IP54			
with appropriate cable glands	IP65			
Temperature range	-40 ... +120 °C			
Description	Type	M	Part No.	P.U.
Accessories				
Cable gland IP68, plastic material, gray	Connection range 7 – 16 mm	25	Z5.507.1553.0	10
Cable gland IP68, nickel-plated brass	Connection range 11 – 18 mm	25	Z5.507.1521.0	10
Cable gland IP68, plastic material, gray	Connection range 10 – 21 mm	32	Z5.507.1753.0	10
Cable gland IP68, nickel-plated brass	Connection range 15 – 21 mm	32	Z5.507.1721.0	10
Contact inserts				
Size 6H see the product matrix				Page 24–25

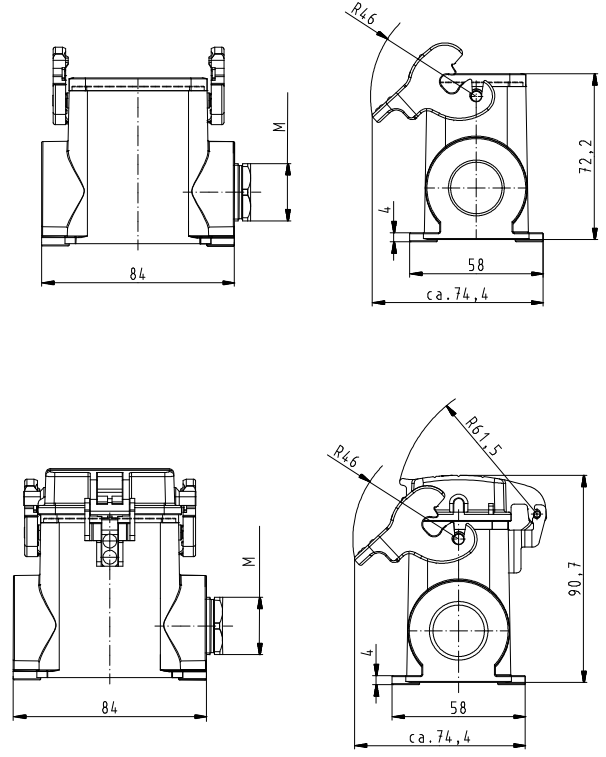
Dimensions

Bases

closed, 2 cable glands



closed, 1 cable gland



Hoods, single locking lever

Size 10

Hoods Size 10



Lateral cable entry



Top cable entry



Multipole connectors for cable-to-cable couplings

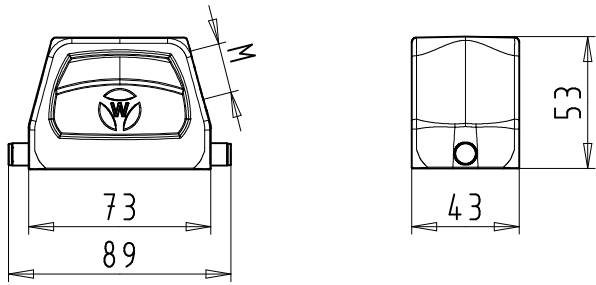


Description	Type	M	Part No.	P.U.
Hoods, size 10				
Aluminum housing				
Lateral cable entry M20				
with cable gland, IP54, $\rightarrow \text{Ø} \leftarrow 3 - 14.5 \text{ mm}$	BAS GOT GG 10 M20 A0	20	71.350.1035.0	1
with threaded collar	BAS GOT GG 10 M20 A1	20	71.350.1035.1	1
Lateral cable entry M25				
with cable gland, IP54, $\rightarrow \text{Ø} \leftarrow 7.5 - 19 \text{ mm}$	BAS GOT GG 10 M25 A0	25	71.353.1035.0	1
with threaded collar	BAS GOT GG 10 M25 A1	25	71.353.1035.1	1
Top cable entry M20				
with cable gland, IP54, $\rightarrow \text{Ø} \leftarrow 3 - 14.5 \text{ mm}$	BAS GOT GI 10 M20 A0	20	71.352.1035.0	1
with threaded collar	BAS GOT GI 10 M20 A1	20	71.352.1035.1	1
Top cable entry M25				
with cable gland, IP54, $\rightarrow \text{Ø} \leftarrow 7.5 - 19 \text{ mm}$	BAS GOT GI 10 M25 A0	25	71.354.1035.0	1
with threaded collar	BAS GOT GI 10 M25 A1	25	71.354.1035.1	1
Multipole connectors for cable-to-cable couplings M20				
with cable gland, IP54, $\rightarrow \text{Ø} \leftarrow 3 - 14.5 \text{ mm}$	BAS GOT GI 10 M20 A0	20	71.352.1035.0	1
with cable gland, IP54, $\rightarrow \text{Ø} \leftarrow 3 - 14.5 \text{ mm}$ Locking levers and gasket	BAS GOT GL 10 M20 A0	20	71.372.1035.0	1
with threaded collar	BAS GOT GI 10 M20 A1	20	71.352.1035.1	1
with threaded collar Locking levers and gasket	BAS GOT GL 10 M20 A1	20	71.372.1035.1	1
Technical data				
Material	Die cast aluminum alloy			
Surface	silicon-free			
Locking levers at Multipole connectors	Handle: Polyamide, UL94-V0; stainless steel: V2A			
Gasket at Multipole connectors	NBR			
Degree of protection				
with latched locking levers	IP54			
with appropriate cable glands	IP65			
Temperature range	-40 ... +120 °C			
Description	Type	M	Part No.	P.U.
Accessories				
Cable gland IP68, plastic material, gray	Connection range 6 – 12 mm	20	Z5.507.1353.0	10
Cable gland IP68, nickel-plated brass	Connection range 8 – 13 mm	20	Z5.507.1321.0	10
Cable gland IP68, plastic material, gray	Connection range 7 – 16 mm	25	Z5.507.1553.0	10
Cable gland IP68, nickel-plated brass	Connection range 11 – 18 mm	25	Z5.507.1521.0	10
Strain relief IP54, nickel-plated brass	Connection range 9 – 13.5 mm	20	Z5.507.9621.0	10
Strain relief IP54, nickel-plated brass	Connection range 14 – 20 mm	25	Z5.507.9721.0	10
Contact inserts				
See the product matrix			Page 24–25	

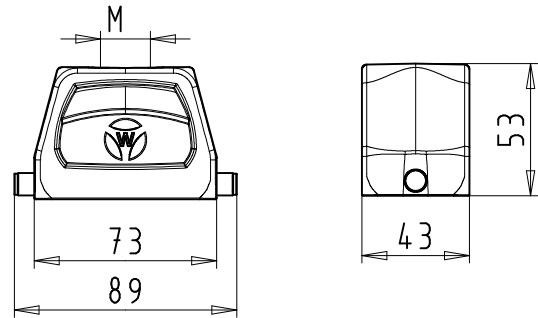
Dimensions

Hoods

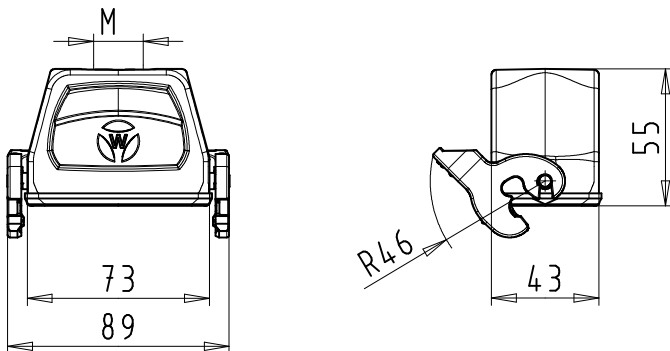
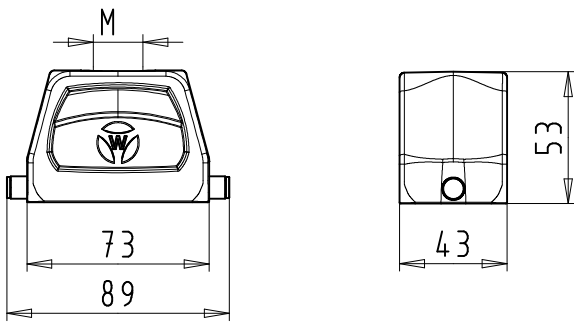
Lateral cable entry



Top cable entry



Multipole connectors for cable-to-cable couplings



Hoods, single locking lever Size 10H, increased height design

Hoods Size 10H, increased height design

Lateral cable entry



Top cable entry

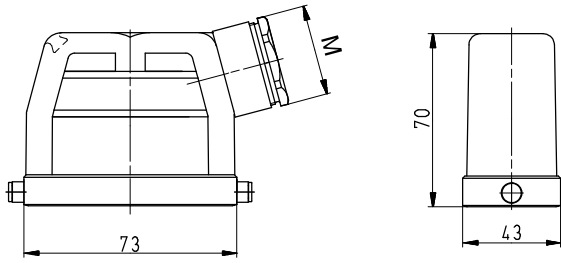


Description	Type	M	Part No.	P.U.
Hoods, size 10H				
Aluminum housing				
Lateral cable entry M25				
with cable gland, IP54, $\rightarrow \varnothing $ 7.5 – 19 mm	BAS GOT GG 10H M25 A0	25	76.350.1035.0	1
with threaded collar	BAS GOT GG 10H M25 A1	25	76.350.1035.1	1
Lateral cable entry M32				
with cable gland, IP54, $\rightarrow \varnothing $ 15 – 26.5 mm	BAS GOT GG 10H M32 A0	32	76.353.1035.0	1
with threaded collar	BAS GOT GG 10H M32 A1	32	76.353.1035.1	1
Top cable entry M25				
with cable gland, IP54, $\rightarrow \varnothing $ 7.5 – 19 mm	BAS GOT GI 10H M25 A0	25	76.352.1035.0	1
with threaded collar	BAS GOT GI 10H M25 A1	25	76.352.1035.1	1
Top cable entry M32				
with cable gland, IP54, $\rightarrow \varnothing $ 15 – 26.5 mm	BAS GOT GI 10H M32 A0	32	76.354.1035.0	1
with threaded collar	BAS GOT GI 10H M32 A1	32	76.354.1035.1	1
Technical data				
Material	Die cast aluminum alloy			
Surface	silicon-free			
Locking levers	–			
Gasket	–			
Degree of protection				
with latched locking levers	IP54			
with appropriate cable glands	IP65			
Temperature range	-40 ... +120 °C			
Description	Type	M	Part No.	P.U.
Accessories				
Cable gland IP68, plastic material, gray	Connection range 6 – 12 mm	20	Z5.507.1353.0	10
Cable gland IP68, plastic material, gray	Connection range 8 – 13 mm	20	Z5.507.1321.0	10
Cable gland IP68, plastic material, gray	Connection range 7 – 16 mm	25	Z5.507.1553.0	10
Cable gland IP68, nickel-plated brass	Connection range 11 – 18 mm	25	Z5.507.1521.0	10
Cable gland IP68, plastic material, gray	Connection range 10 – 21 mm	32	Z5.507.1753.0	10
Cable gland IP68, nickel-plated brass	Connection range 15 – 21 mm	32	Z5.507.1721.0	10
Strain relief IP54, nickel-plated brass	Connection range 9 – 13.5 mm	20	Z5.507.9621.0	10
Strain relief IP54, nickel-plated brass	Connection range 14 – 20 mm	25	Z5.507.9721.0	10
Strain relief IP54, nickel-plated brass	Connection range 19 – 29 mm	32	Z5.507.9821.0	10
Contact inserts				
See the product matrix			Page 24–25	

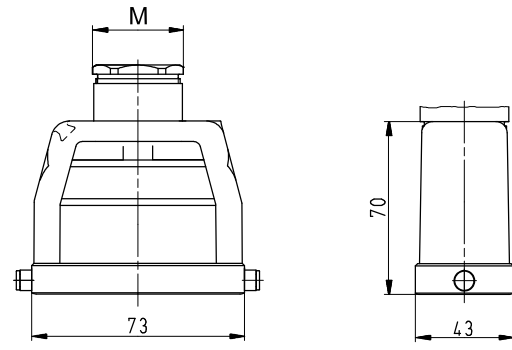
Dimensions

Hoods

Lateral cable entry



Top cable entry



Bases, single locking lever Size 10

Bases, Size 10



open

without cover
with cover



closed

1 cable gland
without cover
with cover



closed

1 cable gland, bottom
without cover
with cover



Description	Type	M	Part No.	P.U.
Bases, size 10				
Aluminum housing				
Open-bottom base				
without cover	BAS GUT GK 10 A		71.320.1028.0	1
with cover	BAS GUT GP 10 A		71.325.1028.0	1
Closed-bottom base				
2 cable glands, 2 x M20				
without cover				
with cable gland, IP54, $\rightarrow \text{Ø} \leftarrow 3 - 14.5 \text{ mm}$	BAS GUT GL 10 M20 A0	20	71.330.1035.0	1
with threaded collar	BAS GUT GL 10 M20 A1	20	71.330.1035.1	1
with cover				
with cable gland, IP54, $\rightarrow \text{Ø} \leftarrow 3 - 14.5 \text{ mm}$	BAS GUT GR 10 M20 A0	20	71.340.1035.0	1
with threaded collar	BAS GUT GR 10 M20 A1	20	71.340.1035.1	1
1 cable gland, left, 1 x M20				
without cover				
with cable gland, IP54, $\rightarrow \text{Ø} \leftarrow 3 - 14.5 \text{ mm}$	BAS GUT GM 10 M20 A0	20	71.331.1035.0	1
with threaded collar	BAS GUT GM 10 M20 A1	20	71.331.1035.1	1
with cover				
with cable gland, IP54, $\rightarrow \text{Ø} \leftarrow 3 - 14.5 \text{ mm}$	BAS GUT GS 10 M20 A0	20	71.341.1035.0	1
with threaded collar	BAS GUT GS 10 M20 A1	20	71.341.1035.1	1
1 cable gland, left, 1 x M25				
without cover				
with cable gland, IP54, $\rightarrow \text{Ø} \leftarrow 7.5 - 19 \text{ mm}$	BAS GUT GM 10 M25 A0	25	71.335.1035.0	1
with threaded collar	BAS GUT GM 10 M25 A1	25	71.335.1035.1	1
1 cable gland, right, 1 x M20				
with cover				
with cable gland, IP54, $\rightarrow \text{Ø} \leftarrow 3 - 14.5 \text{ mm}$	BAS GUT GT 10 M20 A0	20	71.342.1035.0	1
with threaded collar	BAS GUT GT 10 M20 A1	20	71.342.1035.1	1
1 cable gland, bottom, 1 x M20				
without cover				
with cable gland, IP54, $\rightarrow \text{Ø} \leftarrow 3 - 14.5 \text{ mm}$	BAS GUT GO 10 M20 A0	20	71.333.1035.0	1
with threaded collar	BAS GUT GO 10 M20 A1	20	71.333.1035.1	1
with cover				
with cable gland, IP54, $\rightarrow \text{Ø} \leftarrow 3 - 14.5 \text{ mm}$	BAS GUT GU 10 M20 A0	20	71.343.1035.0	1
with threaded collar	BAS GUT GU 10 M20 A1	20	71.343.1035.1	1
Technical data				
Material	Die cast aluminum alloy			
Surface	silicon-free			
Locking levers	Handle: Polyamide, UL94-V0; stainless steel: V2A			
Gasket	NBR			
Degree of protection				
with latched locking levers	IP54			
with appropriate cable glands	IP65			
Temperature range	-40 ... +120 °C			
Description	Type	M	Part No.	P.U.
Accessories				
Cable gland IP68, plastic material, gray	Connection range 6 – 12 mm	20	Z5.507.1353.0	10
Cable gland IP68, nickel-plated brass	Connection range 8 – 13 mm	20	Z5.507.1321.0	10
Cable gland IP68, plastic material, gray	Connection range 7 – 16 mm	25	Z5.507.1553.0	10
Cable gland IP68, nickel-plated brass	Connection range 11 – 18 mm	25	Z5.507.1521.0	10
Contact inserts				
See the product matrix			Page 24–25	

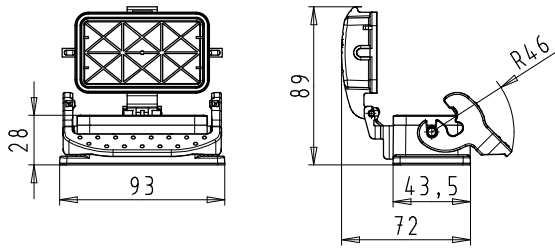
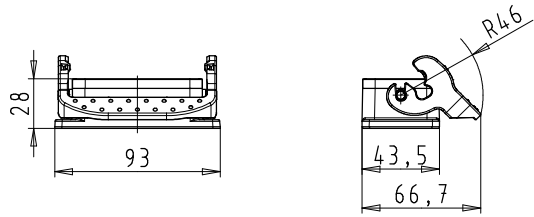
All Bases on this page are also available in M25 design.
The fifth digit of the part number always increases by 4 for M25 compared to the corresponding M20 designs.

Example:
71.341.1035.0 for M20 becomes 71.345.1035.0 for M25

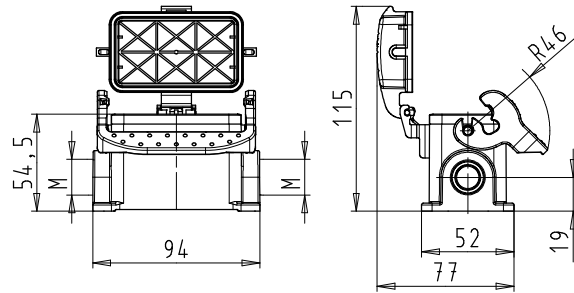
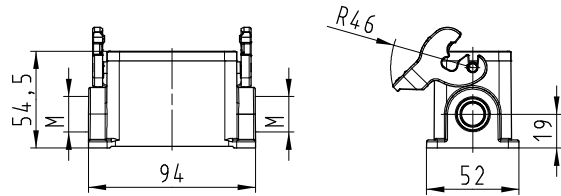
Dimensions

Bases

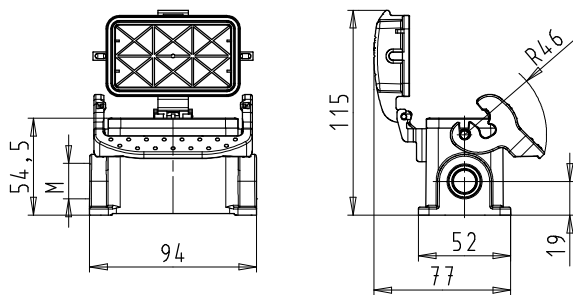
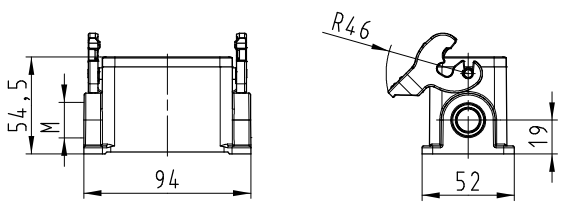
open



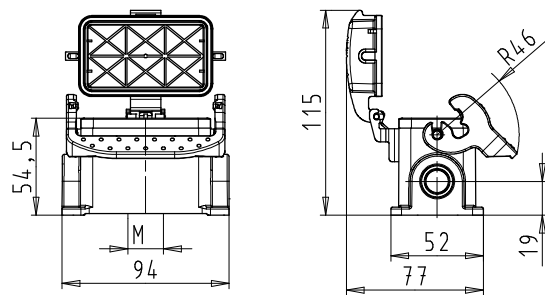
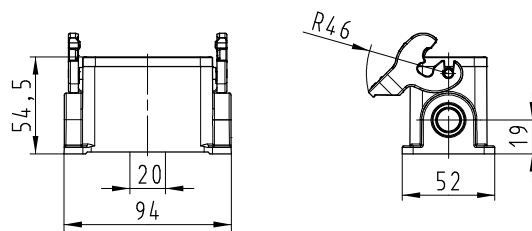
closed, 2 cable glands



closed, 1 cable gland



closed, 1 cable gland, bottom



Bases, single locking lever Size 10H, increased height design

Bases Size 10H, increased height design



closed M25
without cover
with cover



closed M32
with threaded collar

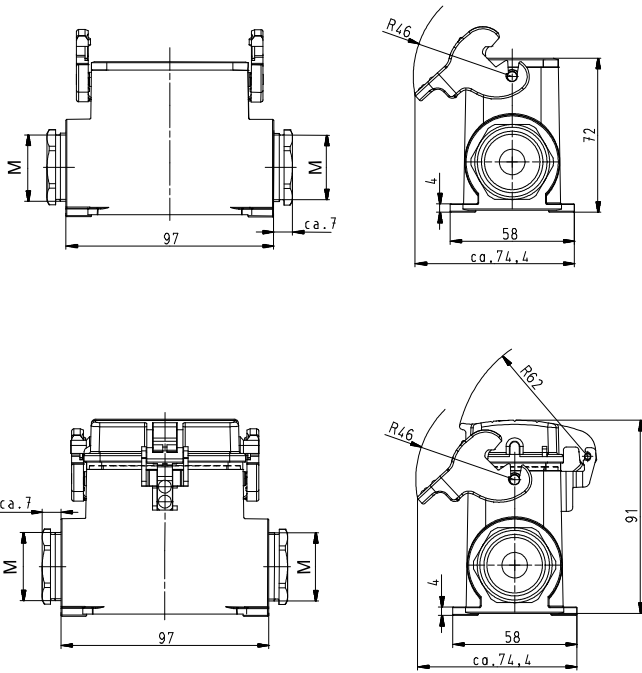


Description	Type	M	Part No.	P.U.
Bases, size 10H				
Aluminum housing				
Closed-bottom base				
2 cable glands, 2 x M25				
without cover				
with cable gland, IP54, $\rightarrow \varnothing \leftarrow$ 7.5 – 19 mm	BAS GUT GL 10H M25 A0	25	76.330.1035.0	1
with threaded collar	BAS GUT GL 10H M25 A1	25	76.330.1035.1	1
with cover				
with cable gland, IP54, $\rightarrow \varnothing \leftarrow$ 7.5 – 19 mm	BAS GUT GR 10H M25 A0	25	76.340.1035.0	1
with threaded collar	BAS GUT GR 10H M25 A1	25	76.340.1035.1	1
2 cable glands, 2 x M32				
without cover				
with cable gland, IP54, $\rightarrow \varnothing \leftarrow$ 15 – 26.5 mm	BAS GUT GL 10H M32 A0	32	76.334.1035.0	1
with threaded collar	BAS GUT GL 10H M32 A1	32	76.334.1035.1	1
with cover				
with cable gland, IP54, $\rightarrow \varnothing \leftarrow$ 15 – 26.5 mm	BAS GUT GR 10H M32 A0	32	76.344.1035.0	1
with threaded collar	BAS GUT GR 10H M32 A1	32	76.344.1035.1	1
1 cable gland, left, 1 x M25				
without cover				
with cable gland, IP54, $\rightarrow \varnothing \leftarrow$ 7.5 – 19 mm	BAS GUT GM 10H M25 A0	25	76.331.1035.0	1
with threaded collar	BAS GUT GM 10H M25 A1	25	76.331.1035.1	1
with cover				
with cable gland, IP54, $\rightarrow \varnothing \leftarrow$ 7.5 – 19 mm	BAS GUT GS 10H M25 A0	25	76.341.1035.0	1
with threaded collar	BAS GUT GS 10H M25 A1	25	76.341.1035.1	1
1 cable gland, left, 1 x M32				
without cover				
with cable gland, IP54, $\rightarrow \varnothing \leftarrow$ 15 – 26.5 mm	BAS GUT GM 10H M32 A0	32	76.335.1035.0	1
with threaded collar	BAS GUT GM 10H M32 A1	32	76.335.1035.1	1
with cover				
with cable gland, IP54, $\rightarrow \varnothing \leftarrow$ 15 – 26.5 mm	BAS GUT GR 10H M32 A0	32	76.345.1035.0	1
with threaded collar	BAS GUT GR 10H M32 A1	32	76.345.1035.1	1
1 cable gland, right, 1 x M25				
with cover				
with cable gland, IP54, $\rightarrow \varnothing \leftarrow$ 7.5 – 19 mm	BAS GUT GT 10H M25 A0	25	76.342.1035.0	1
with threaded collar	BAS GUT GT 10H M25 A1	25	76.342.1035.1	1
1 cable gland, right, 1 x M32				
with cover				
with cable gland, IP54, $\rightarrow \varnothing \leftarrow$ 15 – 26.5 mm	BAS GUT GT 10H M32 A0	32	76.346.1035.0	1
with threaded collar	BAS GUT GT 10H M32 A1	32	76.346.1035.1	1
Technical data				
Material	Die cast aluminum alloy			
Surface	silicon-free			
Locking levers	Handle: Polyamide, UL94-V0; stainless steel: V2A			
Gasket	NBR			
Degree of protection				
with latched locking levers	IP54			
with appropriate cable glands	IP65			
Temperature range	-40 ... +120 °C			
Description	Type	M	Part No.	P.U.
Accessories				
Cable gland IP68, plastic material, gray	Connection range 7 – 16 mm	25	Z5.507.1553.0	10
Cable gland IP68, nickel-plated brass	Connection range 11 – 18 mm	25	Z5.507.1521.0	10
Cable gland IP68, plastic material, gray	Connection range 10 – 21 mm	32	Z5.507.1753.0	10
Cable gland IP68, nickel-plated brass	Connection range 15 – 21 mm	32	Z5.507.1721.0	10
Contact inserts				
See the product matrix			Page 24–25	

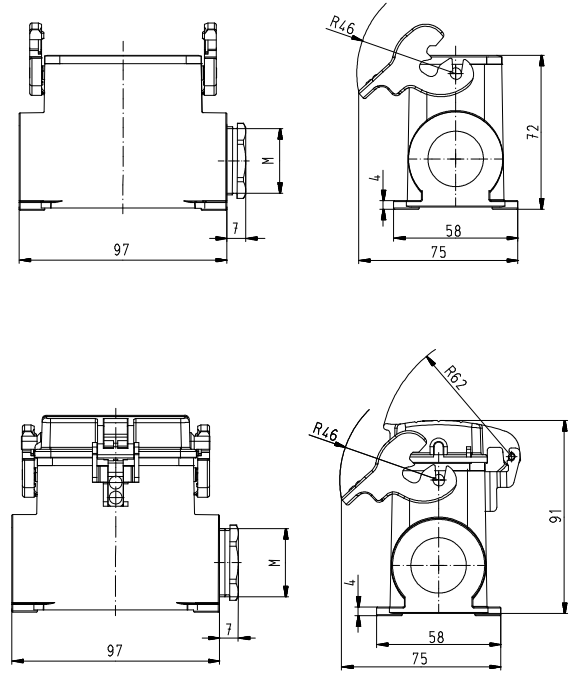
Dimensions

Bases

closed, 2 cable glands



closed, 1 cable gland



Hoods, double locking lever

Size 10

Hoods Size 10



Lateral cable entry



Top cable entry

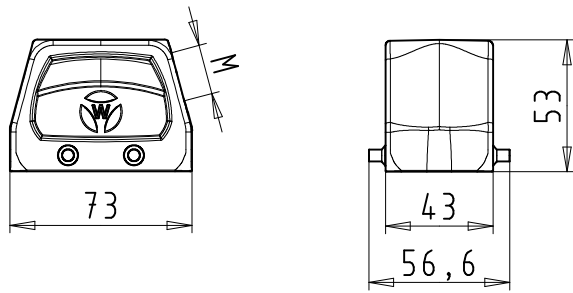


Description	Type	M	Part No.	P.U.
Hoods, size 10				
Aluminum housing				
Lateral cable entry M20				
with cable gland, IP54, $\rightarrow \text{Ø} \leftarrow$ 3 – 14.5 mm	BAS GOT GA 10 M20 A0	20	70.350.1035.0	1
with threaded collar	BAS GOT GA 10 M20 A1	20	70.350.1035.1	1
Lateral cable entry M25				
with cable gland, IP54, $\rightarrow \text{Ø} \leftarrow$ 7.5 – 19 mm	BAS GOT GA 10 M25 A0	25	70.353.1035.0	1
with threaded collar	BAS GOT GA 10 M25 A1	25	70.353.1035.1	1
Top cable entry M20				
with cable gland, IP54, $\rightarrow \text{Ø} \leftarrow$ 3 – 14.5 mm	BAS GOT GC 10 M20 A0	20	70.352.1035.0	1
with threaded collar	BAS GOT GC 10 M20 A1	20	70.352.1035.1	1
Top cable entry M25				
with cable gland, IP54, $\rightarrow \text{Ø} \leftarrow$ 7.5 – 19 mm	BAS GOT GC 10 M25 A0	25	70.354.1035.0	1
with threaded collar	BAS GOT GC 10 M25 A1	25	70.354.1035.1	1
Technical data				
Material metal	Die cast aluminum alloy			
Surface	silicon-free			
Locking levers at Multipole connectors	-			
Gasket at Multipole connectors	-			
Degree of protection				
with latched locking levers	IP54			
with appropriate cable glands	IP65			
Temperature range	-40 ... +120 °C			
Description	Type	M	Part No.	P.U.
Accessories				
Cable gland IP68, plastic material, gray	Connection range 6 – 12 mm	20	Z5.507.1353.0	10
Cable gland IP68, nickel-plated brass	Connection range 8 – 13 mm	20	Z5.507.1321.0	10
Cable gland IP68, plastic material, gray	Connection range 7 – 16 mm	25	Z5.507.1553.0	10
Cable gland IP68, nickel-plated brass	Connection range 11 – 18 mm	25	Z5.507.1521.0	10
Strain relief IP54, nickel-plated brass	Connection range 9 – 13.5 mm	20	Z5.507.9621.0	10
Strain relief IP54, nickel-plated brass	Connection range 14 – 20 mm	25	Z5.507.9721.0	10
Contact inserts				
See the product matrix			Page 24–25	

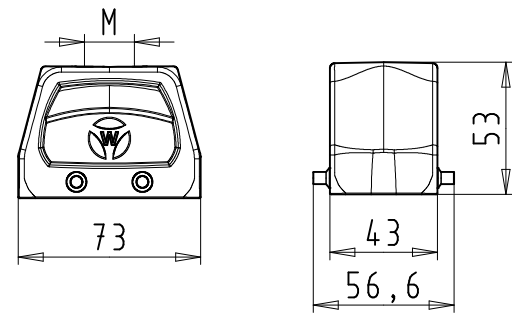
Dimensions

Hoods

Lateral cable entry



Top cable entry



Hoods, double locking lever with Locking levers, Size 10

Hoods Size 10



Lateral cable entry



Top cable entry



Multipole connectors for cable-to-cable couplings

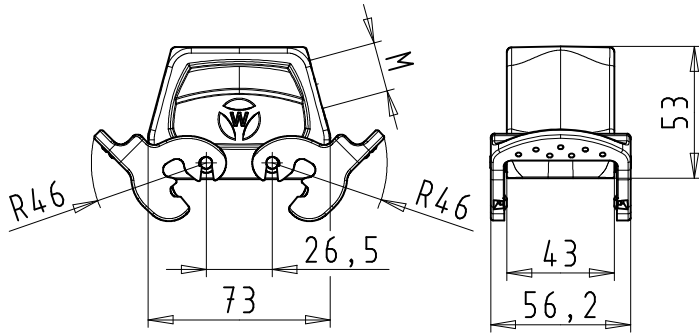


Description	Type	M	Part No.	P.U.
Hoods, size 10				
Aluminum housing				
Lateral cable entry M20				
with cable gland, IP54, $\rightarrow \text{Ø} \leftarrow 3 - 14.5 \text{ mm}$	BAS GOT GD 10 M20 A0	20	70.355.1035.0	1
with threaded collar	BAS GOT GD 10 M20 A1	20	70.355.1035.1	1
Lateral cable entry M25				
with cable gland, IP54, $\rightarrow \text{Ø} \leftarrow 7.5 - 19 \text{ mm}$	BAS GOT GD 10 M25 A0	25	70.358.1035.0	1
with threaded collar	BAS GOT GD 10 M25 A1	25	70.358.1035.1	1
Top cable entry M20				
with cable gland, IP54, $\rightarrow \text{Ø} \leftarrow 3 - 14.5 \text{ mm}$	BAS GOT GF 10 M20 A0	20	70.357.1035.0	1
with threaded collar	BAS GOT GF 10 M20 A1	20	70.357.1035.1	1
Top cable entry M25				
with cable gland, IP54, $\rightarrow \text{Ø} \leftarrow 7.5 - 19 \text{ mm}$	BAS GOT GF 10 M25 A0	25	70.359.1035.0	1
with threaded collar	BAS GOT GF 10 M25 A1	25	70.359.1035.1	1
Multipole connectors for cable-to-cable couplings M20				
with cable gland, IP54, $\rightarrow \text{Ø} \leftarrow 3 - 14.5 \text{ mm}$	BAS GOT GC 10 M20 A0	20	70.352.1035.0	1
with cable gland, IP54, $\rightarrow \text{Ø} \leftarrow 3 - 14.5 \text{ mm}$ Locking levers and gasket	BAS GOT GK 10 M20 A0	20	70.372.1035.0	1
with threaded collar	BAS GOT GC 10 M20 A1	20	70.352.1035.1	1
with threaded collar Locking levers and gasket	BAS GOT GK 10 M20 A1	20	70.372.1035.1	1
Technical data				
Material	Die cast aluminum alloy			
Surface	silicon-free			
Locking levers	Handle: Polyamide, UL94-V0; stainless steel: V2A			
Gasket for Multipole connectors	NBR			
Degree of protection				
with latched locking levers	IP54			
with appropriate cable glands	IP65			
Temperature range	-40 ... +120 °C			
Description	Type	M	Part No.	P.U.
Accessories				
Cable gland IP68, plastic material, gray	Connection range 6 – 12 mm	20	Z5.507.1353.0	10
Cable gland IP68, nickel-plated brass	Connection range 8 – 13 mm	20	Z5.507.1321.0	10
Cable gland IP68, plastic material, gray	Connection range 7 – 16 mm	25	Z5.507.1553.0	10
Cable gland IP68, nickel-plated brass	Connection range 11 – 18 mm	25	Z5.507.1521.0	10
Strain relief IP54, nickel-plated brass	Connection range 9 – 13.5 mm	20	Z5.507.9621.0	10
Strain relief IP54, nickel-plated brass	Connection range 14 – 20 mm	25	Z5.507.9721.0	10
Contact inserts				
See the product matrix			Page 24-25	

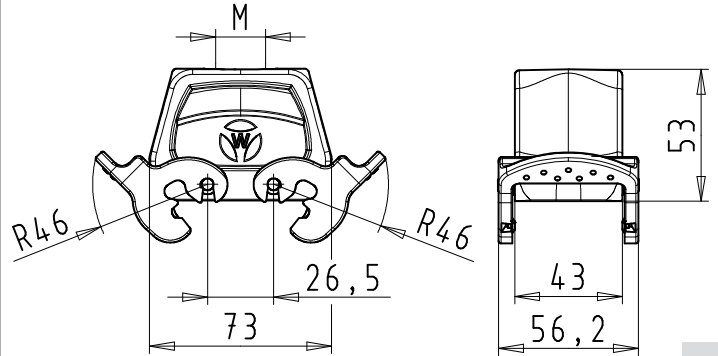
Dimensions

Hoods with Locking levers

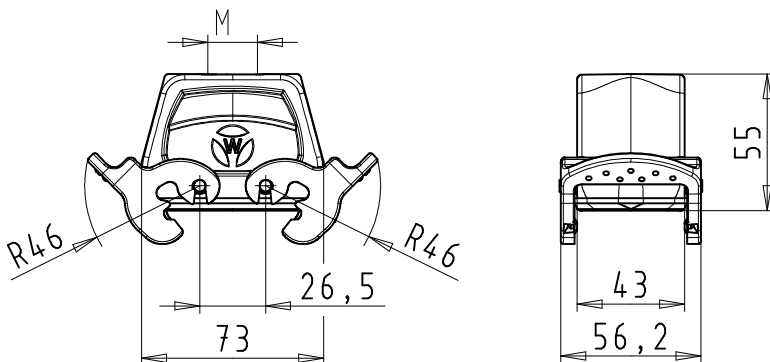
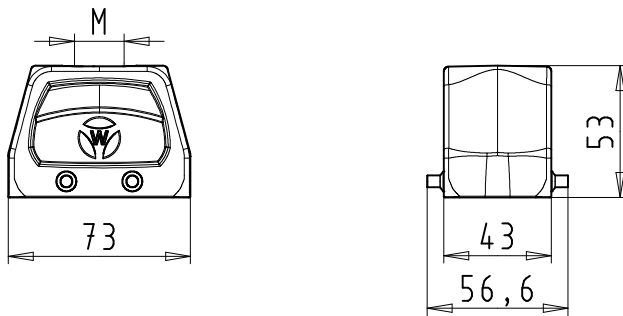
Lateral cable entry



Top cable entry



Multipole connectors for cable-to-cable couplings



Hoods, double locking lever Size 10H, increased height design

Hoods Size 10H, increased height design

Lateral cable entry



Top cable entry

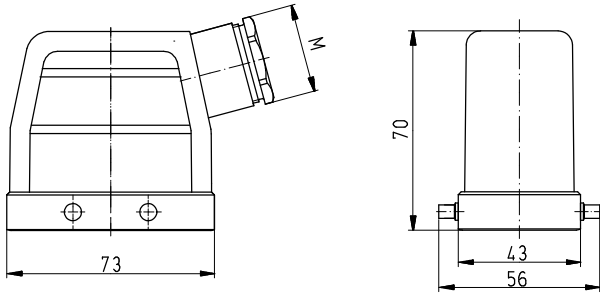


Description	Type	M	Part No.	P.U.
Hoods, size 10H				
Aluminum housing				
Lateral cable entry M25				
with cable gland, IP54, $\rightarrow \text{Ø} \leftarrow$ 7.5 – 19 mm	BAS GOT GA 10H M25 Ø0 A0	25	73.350.1035.0	1
with threaded collar	BAS GOT GA 10H M25 Ø0 A1	25	73.350.1035.1	1
Lateral cable entry M32				
with cable gland, IP54, $\rightarrow \text{Ø} \leftarrow$ 15 – 26.5 mm	BAS GOT GA 10H M32 Ø0 A0	32	73.353.1035.0	1
with threaded collar	BAS GOT GA 10H M32 Ø0 A1	32	73.353.1035.1	1
Top cable entry M25				
with cable gland, IP54, $\rightarrow \text{Ø} \leftarrow$ 7.5 – 19 mm	BAS GOT GC 10H M25 Ø0 A0	25	73.352.1035.0	1
with threaded collar	BAS GOT GC 10H M25 Ø0 A1	25	73.352.1035.1	1
Top cable entry M32				
with cable gland, IP54, $\rightarrow \text{Ø} \leftarrow$ 15 – 26.5 mm	BAS GOT GC 10H M32 Ø0 A0	32	73.354.1035.0	1
with threaded collar	BAS GOT GC 10H M32 Ø0 A1	32	73.354.1035.1	1
Technical data				
Material	Die cast aluminum alloy			
Surface	silicon-free			
Locking levers	–			
Gasket	–			
Degree of protection				
with latched locking levers	IP54			
with appropriate cable glands	IP65			
Temperature range	-40 ... +120 °C			
Description	Type	M	Part No.	P.U.
Accessories				
Cable gland IP68, plastic material, gray	Connection range 6 – 12 mm	20	Z5.507.1353.0	10
Cable gland IP68, plastic material, gray	Connection range 8 – 13 mm	20	Z5.507.1321.0	10
Cable gland IP68, plastic material, gray	Connection range 7 – 16 mm	25	Z5.507.1553.0	10
Cable gland IP68, nickel-plated brass	Connection range 11 – 18 mm	25	Z5.507.1521.0	10
Cable gland IP68, plastic material, gray	Connection range 10 – 21 mm	32	Z5.507.1753.0	10
Cable gland IP68, nickel-plated brass	Connection range 15 – 21 mm	32	Z5.507.1721.0	10
Strain relief IP54, nickel-plated brass	Connection range 9 – 13.5 mm	20	Z5.507.9621.0	10
Strain relief IP54, nickel-plated brass	Connection range 14 – 20 mm	25	Z5.507.9721.0	10
Strain relief IP54, nickel-plated brass	Connection range 19 – 29 mm	32	Z5.507.9821.0	10
Contact inserts				
See the product matrix			Page 24–25	

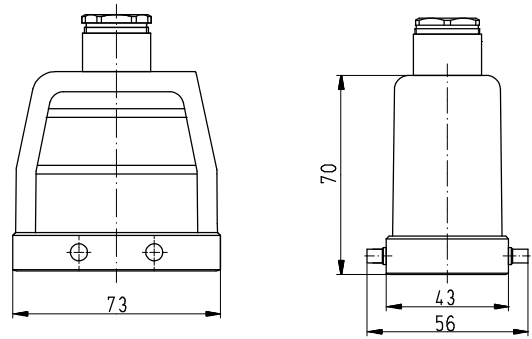
Dimensions

Hoods

Lateral cable entry



Top cable entry



Bases, double locking lever

Size 10

Bases, Size 10



open

without cover
with cover



closed

1 cable gland

without cover
with cover



closed

1 cable gland, bottom

without cover
with cover



Description	Type	M	Part No.	P.U.
Bases, size 10				
Aluminum housing				
Open-bottom base				
without cover	BAS GUT GA 10 A		70.320.1028.0	1
with cover	BAS GUT GE 10 A		70.325.1028.0	1
Closed-bottom base				
2 cable glands, 2 x M20				
without cover				
with cable gland, IP54, $\rightarrow \varnothing $ 3 – 14.5 mm	BAS GUT GB 10 M20 A0	20	70.330.1035.0	1
with threaded collar	BAS GUT GB 10 M20 A1	20	70.330.1035.1	1
with cover				
with cable gland, IP54, $\rightarrow \varnothing $ 3 – 14.5 mm	BAS GUT GF 10 M20 A0	20	70.340.1035.0	1
with threaded collar	BAS GUT GF 10 M20 A1	20	70.340.1035.1	1
2 cable glands, 2 x M25				
without cover				
with cable gland, IP54, $\rightarrow \varnothing $ 7.5 – 19 mm	BAS GUT GB 10 M25 A0	25	70.334.1035.0	1
with threaded collar	BAS GUT GB 10 M25 A1	25	70.334.1035.1	1
with cover				
with cable gland, IP54, $\rightarrow \varnothing $ 7.5 – 19 mm	BAS GUT GF 10 M25 A0	25	70.344.1035.0	1
with threaded collar	BAS GUT GF 10 M25 A1	25	70.344.1035.1	1
1 cable gland, left, 1 x M20				
without cover				
with cable gland, IP54, $\rightarrow \varnothing $ 3 – 14.5 mm	BAS GUT GC 10 M20 A0	20	70.331.1035.0	1
with threaded collar	BAS GUT GC 10 M20 A1	20	70.331.1035.1	1
with cover				
with cable gland, IP54, $\rightarrow \varnothing $ 3 – 14.5 mm	BAS GUT GG 10 M20 A0	20	70.341.1035.0	1
with threaded collar	BAS GUT GG 10 M20 A1	20	70.341.1035.1	1
1 cable gland, left, 1 x M25				
without cover				
with cable gland, IP54, $\rightarrow \varnothing $ 7.5 – 19 mm	BAS GUT GC 10 M25 A0	25	70.335.1035.0	1
with threaded collar	BAS GUT GC 10 M25 A1	25	70.335.1035.1	1
1 cable gland, right, 1 x M20				
with cover				
with cable gland, IP54, $\rightarrow \varnothing $ 3 – 14.5 mm	BAS GUT GH 10 M20 A0	20	70.342.1035.0	1
with threaded collar	BAS GUT GH 10 M20 A1	20	70.342.1035.1	1
1 cable gland, bottom, 1 x M20				
without cover				
with cable gland, IP54, $\rightarrow \varnothing $ 3 – 14.5 mm	BAS GUT GD 10 M20 A0	20	70.333.1035.0	1
with threaded collar	BAS GUT GD 10 M20 A1	20	70.333.1035.1	1
with cover				
with cable gland, IP54, $\rightarrow \varnothing $ 3 – 14.5 mm	BAS GUT GI 10 M20 A0	20	70.343.1035.0	1
with threaded collar	BAS GUT GI 10 M20 A1	20	70.343.1035.1	1
1 cable gland, bottom, 1 x M25				
without cover				
with cable gland, IP54, $\rightarrow \varnothing $ 7.5 – 19 mm	BAS GUT GD 10 M25 A0	25	70.337.1035.0	1
with threaded collar	BAS GUT GD 10 M25 A1	25	70.337.1035.1	1

Technical data	
Material	Die cast aluminum alloy
Surface	silicon-free
Locking levers	Handle: Polyamide, UL94-V0; stainless steel: V2A
Gasket	NBR
Degree of protection	
with latched locking levers	IP54
with appropriate cable glands	IP65
Temperature range	-40 ... +120 °C

Description	Type	M	Part No.	P.U.
Accessories				
Cable gland IP68, plastic material, gray	Connection range 6 – 12 mm	20	Z5.507.1353.0	10
Cable gland IP68, nickel-plated brass	Connection range 8 – 13 mm	20	Z5.507.1321.0	10
Cable gland IP68, plastic material, gray	Connection range 7 – 16 mm	25	Z5.507.1553.0	10
Cable gland IP68, nickel-plated brass	Connection range 11 – 18 mm	25	Z5.507.1521.0	10
Contact inserts				
See the product matrix			Page 24–25	

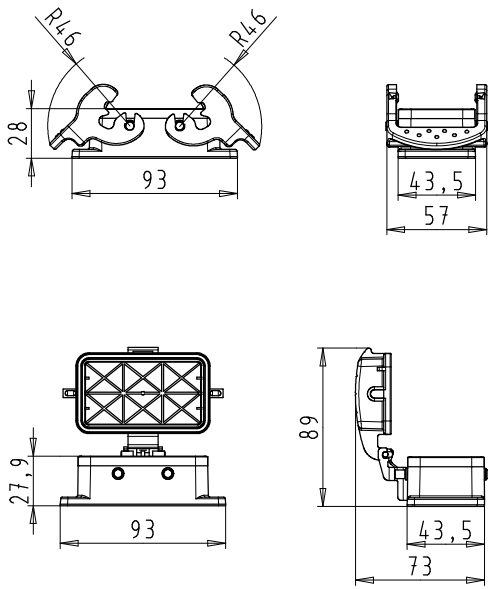
All Bases on this page are also available in M25 design.
The fifth digit of the part number always increases by 4 for M25 compared to the corresponding M20 designs.

Example:
70.341.1035.0 for M20 becomes 70.345.0635.0 for M25

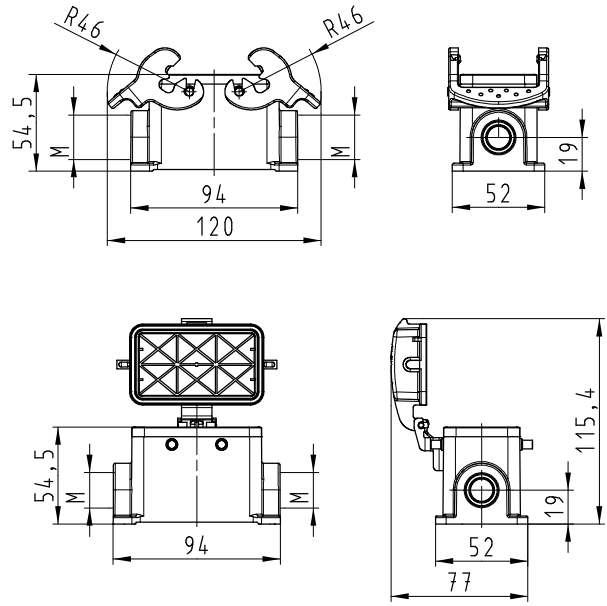
Dimensions

Bases

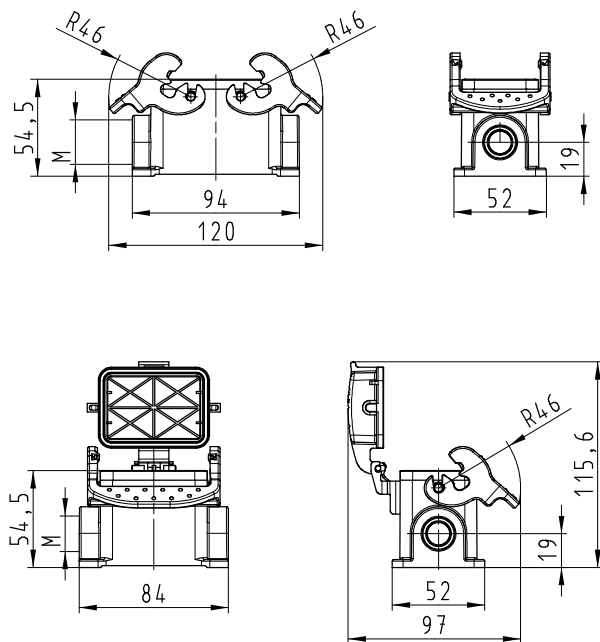
open



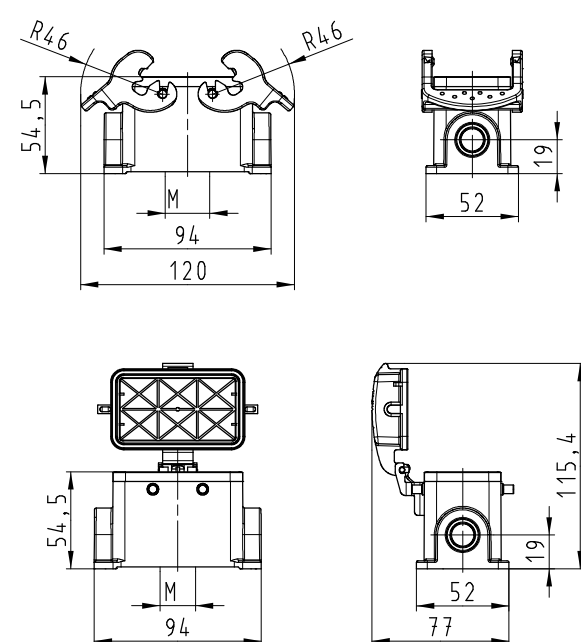
closed, 2 cable glands



closed, 1 cable gland



closed, 1 cable gland, bottom



Bases, double locking lever Size 10H, increased height design

**Bases
Size 10H,
increased height design**

**closed M25
2 cable glands**
without cover
with cover

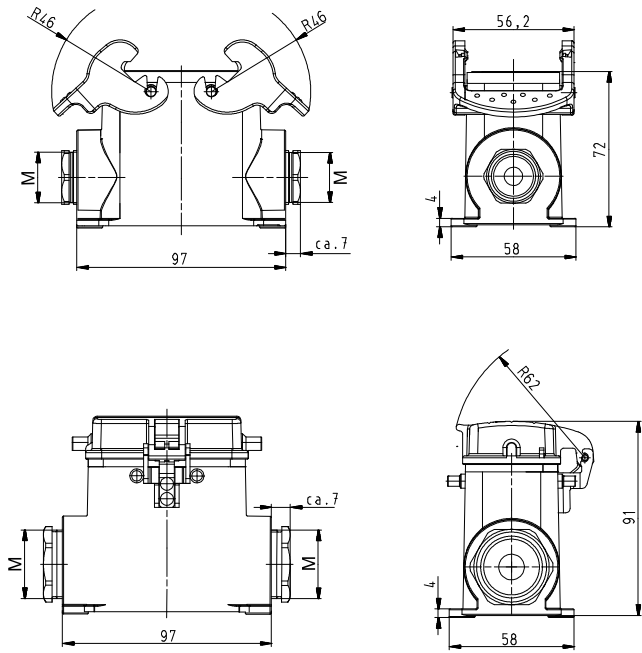


Description	Type	M	Part No.	P.U.
Bases, size 10H				
Aluminum housing				
Closed-bottom base				
2 cable glands, 2 x M25				
without cover				
with cable gland, IP54, $\rightarrow \varnothing $ 7.5 – 19 mm	BAS GUT GB 10H M25 A0	25	73.330.1035.0	1
with threaded collar	BAS GUT GB 10H M25 A1	25	73.330.1035.1	1
with cover				
with cable gland, IP54, $\rightarrow \varnothing $ 7.5 – 19 mm	BAS GUT GF 10H M25 A0	25	73.340.1035.0	1
with threaded collar	BAS GUT GF 10H M25 A1	25	73.340.1035.1	1
2 cable glands, 2 x M32				
without cover				
with cable gland, IP54, $\rightarrow \varnothing $ 15 – 26.5 mm	BAS GUT GB 10H M32 A0	32	73.334.1035.0	1
with threaded collar	BAS GUT GB 10H M32 A1	32	73.334.1035.1	1
with cover				
with cable gland, IP54, $\rightarrow \varnothing $ 15 – 26.5 mm	BAS GUT GF 10H M32 A0	32	73.344.1035.0	1
with threaded collar	BAS GUT GF 10H M32 A1	32	73.344.1035.1	1
1 cable gland, left, 1 x M25				
without cover				
with cable gland, IP54, $\rightarrow \varnothing $ 7.5 – 19 mm	BAS GUT GC 10H M25 A0	25	73.331.1035.0	1
with threaded collar	BAS GUT GC 10H M25 A1	25	73.331.1035.1	1
with cover				
with cable gland, IP54, $\rightarrow \varnothing $ 7.5 – 19 mm	BAS GUT GG 10H M25 A0	25	73.341.1035.0	1
with threaded collar	BAS GUT GG 10H M25 A1	25	73.341.1035.1	1
1 cable gland, left, 1 x M32				
without cover				
with cable gland, IP54, $\rightarrow \varnothing $ 15 – 26.5 mm	BAS GUT GC 10H M32 A0	32	73.335.1035.0	1
with threaded collar	BAS GUT GC 10H M32 A1	32	73.335.1035.1	1
with cover				
with cable gland, IP54, $\rightarrow \varnothing $ 15 – 26.5 mm	BAS GUT GG 10H M32 A0	32	73.345.1035.0	1
with threaded collar	BAS GUT GG 10H M32 A1	32	73.345.1035.1	1
1 cable gland, right, 1 x M25				
with cover				
with cable gland, IP54, $\rightarrow \varnothing $ 7.5 – 19 mm	BAS GUT GH 10H M25 A0	25	73.342.1035.0	1
with threaded collar	BAS GUT GH 10H M25 A1	25	73.342.1035.1	1
1 cable gland, right, 1 x M32				
with cover				
with cable gland, IP54, $\rightarrow \varnothing $ 15 – 26.5 mm	BAS GUT GH 10H M32 A0	32	73.346.1035.0	1
with threaded collar	BAS GUT GH 10H M32 A1	32	73.346.1035.1	1
Technical data				
Material	Die cast aluminum alloy			
Surface	silicon-free			
Locking levers	Handle: Polyamide, UL94-V0; stainless steel: V2A			
Gasket	NBR			
Degree of protection				
with latched locking levers	IP54			
with appropriate cable glands	IP65			
Temperature range	-40 ... +120 °C			
Description	Type	M	Part No.	P.U.
Accessories				
Cable gland IP68, plastic material, gray	Connection range 7 – 16 mm	25	Z5.507.1553.0	10
Cable gland IP68, nickel-plated brass	Connection range 11 – 18 mm	25	Z5.507.1521.0	10
Cable gland IP68, plastic material, gray	Connection range 10 – 21 mm	32	Z5.507.1753.0	10
Cable gland IP68, nickel-plated brass	Connection range 15 – 21 mm	32	Z5.507.1721.0	10
Contact inserts				
See the product matrix			Page 24–25	

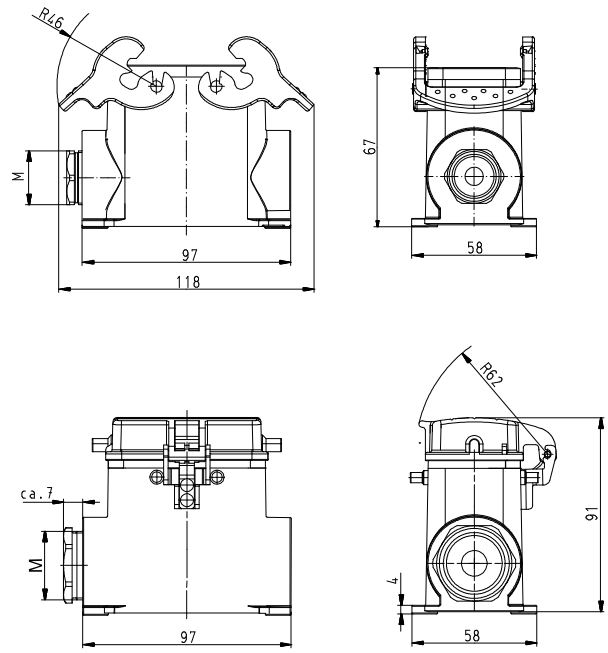
Dimensions

Bases

closed, 2 cable glands



closed, 1 cable gland



Hoods, single locking lever

Size 16

Hoods Size 16



Lateral cable entry



Top cable entry



Multipole connectors for cable-to-cable couplings

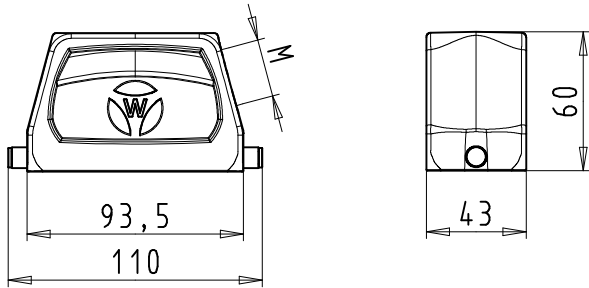


Description	Type	M	Part No.	P.U.
Hoods, size 16		Aluminum housing		
Lateral cable entry M25				
with cable gland, IP54, $\rightarrow \text{Ø} \leftarrow$ 7.5 – 19 mm	BAS GOT GG 16 M25 A0	25	71.350.1635.0	1
with threaded collar	BAS GOT GG 16 M25 A1	25	71.350.1635.1	1
Lateral cable entry M32				
with cable gland, IP54, $\rightarrow \text{Ø} \leftarrow$ 15 – 26.5 mm	BAS GOT GG 16 M32 A0	32	71.353.1635.0	1
with threaded collar	BAS GOT GG 16 M32 A1	32	71.353.1635.1	1
Top cable entry M25				
with cable gland, IP54, $\rightarrow \text{Ø} \leftarrow$ 7.5 – 19 mm	BAS GOT GI 16 M25 A0	25	71.352.1635.0	1
with threaded collar	BAS GOT GI 16 M25 A1	25	71.352.1635.1	1
Top cable entry M32				
with cable gland, IP54, $\rightarrow \text{Ø} \leftarrow$ 15 – 26.5 mm	BAS GOT GI 16 M32 A0	32	71.354.1635.0	1
with threaded collar	BAS GOT GI 16 M32 A1	32	71.354.1635.1	1
Multipole connectors for cable-to-cable couplings M25				
with cable gland, IP54, $\rightarrow \text{Ø} \leftarrow$ 7.5 – 19 mm	BAS GOT GI 16 M25 A0	25	71.352.1635.0	1
with cable gland, IP54, $\rightarrow \text{Ø} \leftarrow$ 7.5 – 19 mm Locking levers and gasket	BAS GOT GL 16 M25 A0	25	71.372.1635.0	1
with threaded collar	BAS GOT GI 16 M25 A1	25	71.352.1635.1	1
with threaded collar Locking levers and gasket	BAS GOT GL 16 M25 A1	25	71.372.1635.1	1
Technical data				
Material	Die cast aluminum alloy			
Surface	powder coated			
Locking levers at Multipole connectors	Handle: Polyamide, UL94-V0; stainless steel: V2A			
Gasket at Multipole connectors	NBR			
Degree of protection				
with latched locking levers	IP54			
with appropriate cable glands	IP65			
Temperature range	-40 ... +120 °C			
Description	Type	M	Part No.	P.U.
Accessories				
Cable gland IP68, plastic material, gray	Connection range 7 – 16 mm	25	Z5.507.1553.0	10
Cable gland IP68, nickel-plated brass	Connection range 11 – 18 mm	25	Z5.507.1521.0	10
Cable gland IP68, plastic material, gray	Connection range 10 – 21 mm	32	Z5.507.1753.0	10
Cable gland IP68, nickel-plated brass	Connection range 15 – 21 mm	32	Z5.507.1721.0	10
Strain relief IP54, nickel-plated brass	Connection range 14 – 20 mm	25	Z5.507.9721.0	10
Strain relief IP54, nickel-plated brass	Connection range 19 – 29 mm	32	Z5.507.9821.0	10
Contact inserts				
See the product matrix			Page 24–25	

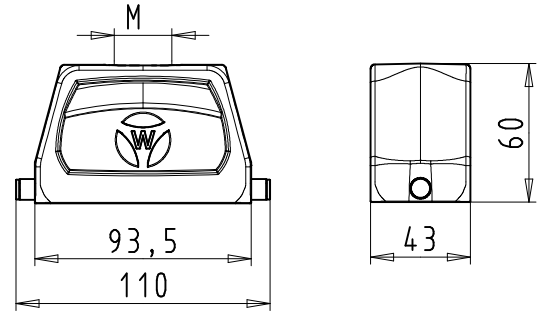
Dimensions

Hoods

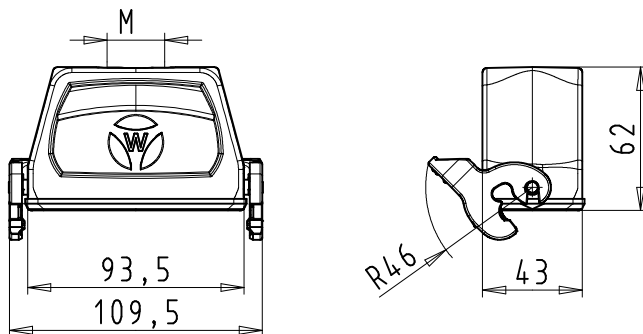
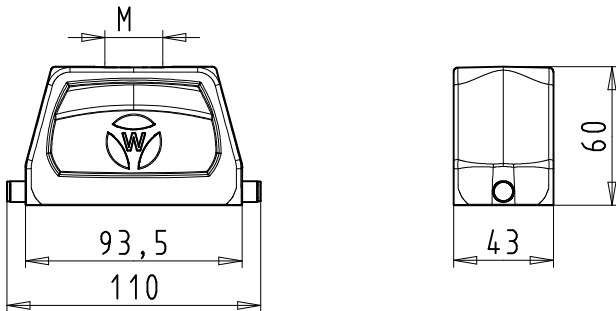
Lateral cable entry



Top cable entry



Multipole connectors for cable-to-cable couplings



Hoods, single locking lever

Size 16H, increased height design

Hoods Size 16H, increased height design

Lateral cable entry



Top cable entry



Multipole connectors for cable-to-cable couplings

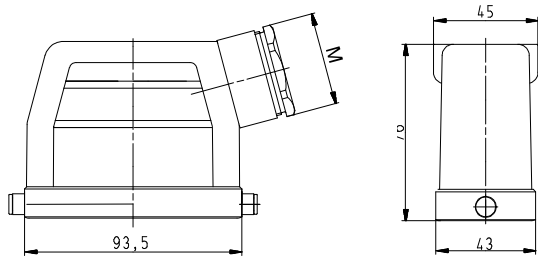


Description	Type	M	Part No.	P.U.
Hoods, size 16H				
Aluminum housing				
Lateral cable entry M25				
with cable gland, IP54, $\rightarrow \text{Ø} \leftarrow$ 7.5 – 19 mm	BAS GOT GG 16H M25 A0	25	76.350.4035.0	1
with threaded collar	BAS GOT GG 16H M25 A1	25	76.350.4035.1	1
Lateral cable entry M32				
with cable gland, IP54, $\rightarrow \text{Ø} \leftarrow$ 15 – 26.5 mm	BAS GOT GG 16H M32 A0	32	76.353.4035.0	1
with threaded collar	BAS GOT GG 16H M32 A1	32	76.353.4035.1	1
Lateral cable entry M40				
with cable gland, IP54, $\rightarrow \text{Ø} \leftarrow$ 19 – 27 mm	BAS GOT GG 16H M40 A0	40	76.360.4035.0	1
with threaded collar	BAS GOT GG 16H M40 A1	40	76.360.4035.1	1
Top cable entry M25				
with cable gland, IP54, $\rightarrow \text{Ø} \leftarrow$ 7.5 – 19 mm	BAS GOT GI 16H M25 A0	25	76.352.4035.0	1
with threaded collar	BAS GOT GI 16H M25 A1	25	76.352.4035.1	1
Top cable entry M32				
with cable gland, IP54, $\rightarrow \text{Ø} \leftarrow$ 15 – 26.5 mm	BAS GOT GI 16H M32 A0	32	76.354.4035.0	1
with threaded collar	BAS GOT GI 16H M32 A1	32	76.354.4035.1	1
Top cable entry M40				
with threaded collar	BAS GOT GI 16H M40 A1	40	76.362.4035.1	1
Multipole connectors for cable-to-cable couplings M32				
with cable gland, IP54, $\rightarrow \text{Ø} \leftarrow$ 15 – 26.5 mm	BAS GOT GI 16H M32 A0	32	76.354.4035.0	1
with cable gland, IP54, $\rightarrow \text{Ø} \leftarrow$ 15 – 26.5 mm Locking levers and gasket	BAS GOT GL 16H M32 A0	32	76.374.4035.0	1
Technical data				
Material	Die cast aluminum alloy			
Surface	powder coated			
Locking levers at Multipole connectors	Handle: Polyamide, UL94-V0; stainless steel: V2A			
Gasket at Multipole connectors	NBR			
Degree of protection				
with latched locking levers	IP54			
with appropriate cable glands	IP65			
Temperature range	-40 ... +120 °C			
Description	Type	M	Part No.	P.U.
Accessories				
Cable gland IP68, plastic material, gray	Connection range 7 – 16 mm	25	Z5.507.1553.0	10
Cable gland IP68, nickel-plated brass	Connection range 11 – 18 mm	25	Z5.507.1521.0	10
Cable gland IP68, plastic material, gray	Connection range 10 – 21 mm	32	Z5.507.1753.0	10
Cable gland IP68, nickel-plated brass	Connection range 15 – 21 mm	32	Z5.507.1721.0	10
Cable gland IP68, plastic material, gray	Connection range 16 – 28 mm	40	Z5.507.1953.0	1
Cable gland IP68, nickel-plated brass	Connection range 19 – 27 mm	40	Z5.507.1921.0	1
Strain relief IP54, nickel-plated brass	Connection range 14 – 20 mm	25	Z5.507.9721.0	10
Strain relief IP54, nickel-plated brass	Connection range 19 – 29 mm	25	Z5.507.9821.0	10
Contact inserts				
See the product matrix			Page 24-25	

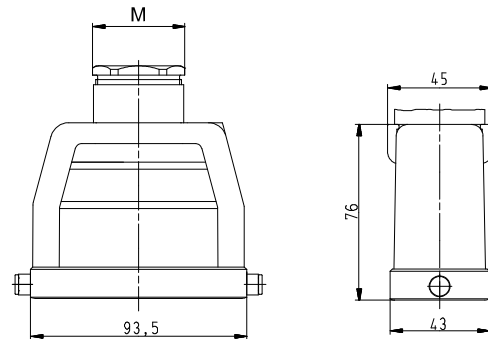
Dimensions

Hoods

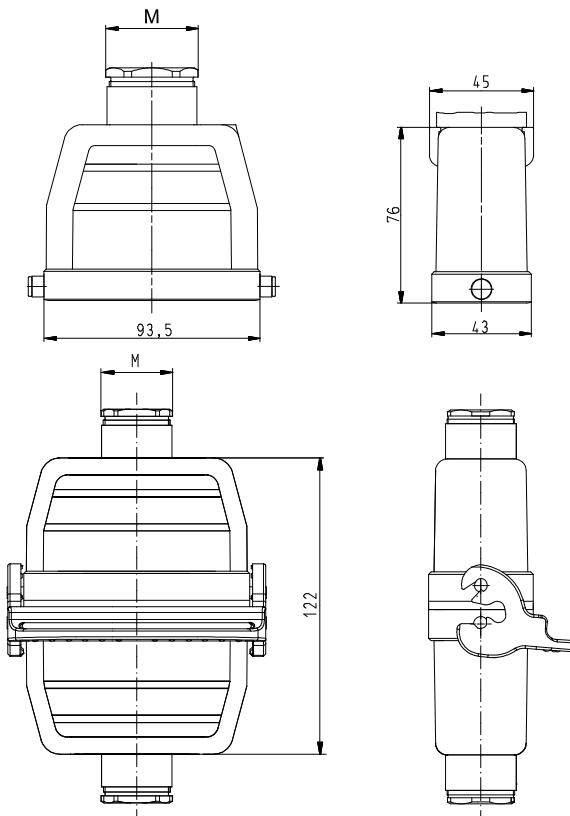
Lateral cable entry



Top cable entry



Multipole connectors for cable-to-cable couplings



Bases, single locking lever Size 16

Bases, Size 16



open

without cover
with cover



closed 1 cable gland

without cover
with cover



closed 1 cable gland, bottom

without cover
with cover

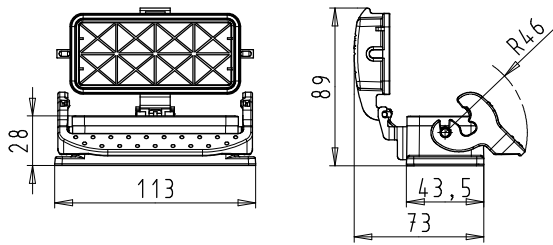
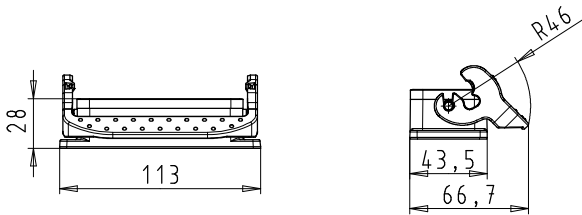


Description	Type	M	Part No.	P.U.
Bases, size 16				
Open-bottom base				
without cover	BAS GUT GK 16 A		71.320.1628.0	1
with cover	BAS GUT GP 16 A		71.325.1628.0	1
Closed-bottom base				
2 cable glands, 2 x M25				
without cover				
with cable gland, IP54, $\rightarrow \text{Ø} \leftarrow$ 7.5– 19 mm	BAS GUT GL 16 M25 A0	25	71.330.1635.0	1
with threaded collar	BAS GUT GL 16 M25 A1	25	71.330.1635.1	1
with cover				
with cable gland, IP54, $\rightarrow \text{Ø} \leftarrow$ 7.5– 19 mm	BAS GUT GR 16 M25 A0	25	71.340.1635.0	1
with threaded collar	BAS GUT GR 16 M25 A1	25	71.340.1635.1	1
1 cable gland, left, 1 x M25				
without cover				
with cable gland, IP54, $\rightarrow \text{Ø} \leftarrow$ 7.5– 19 mm	BAS GUT GM 16 M25 A0	25	71.331.1635.0	1
with threaded collar	BAS GUT GM 16 M25 A1	25	71.331.1635.1	1
with cover				
with cable gland, IP54, $\rightarrow \text{Ø} \leftarrow$ 7.5– 19 mm	BAS GUT GS 16 M25 A0	25	71.341.1635.0	1
with threaded collar	BAS GUT GS 16 M25 A1	25	71.341.1635.1	1
1 cable gland, right, 1 x M25				
with cover				
with cable gland, IP54, $\rightarrow \text{Ø} \leftarrow$ 7.5– 19 mm	BAS GUT GT 16 M25 A0	25	71.342.1635.0	1
with threaded collar	BAS GUT GT 16 M25 A1	25	71.342.1635.1	1
1 cable gland, bottom, 1 x M25				
without cover				
with cable gland, IP54, $\rightarrow \text{Ø} \leftarrow$ 7.5– 19 mm	BAS GUT GO 16 M25 A0	25	71.333.1635.0	1
with threaded collar	BAS GUT GO 16 M25 A1	25	71.333.1635.1	1
with cover				
with cable gland, IP54, $\rightarrow \text{Ø} \leftarrow$ 7.5– 19 mm	BAS GUT GU 16 M25 A0	25	71.343.1635.0	1
with threaded collar	BAS GUT GU 16 M25 A1	25	71.343.1635.1	1
Technical data				
Material	Die cast aluminum alloy			
Surface	powder coated			
Locking levers	Handle: Polyamide, UL94-V0; stainless steel: V2A			
Gasket	NBR			
Degree of protection				
with latched locking levers	IP54			
with appropriate cable glands	IP65			
Temperature range	-40 ... +120 °C			
Description	Type	M	Part No.	P.U.
Accessories				
Cable gland IP68, plastic material, gray	Connection range 7 – 16 mm	25	Z5.507.1553.0	10
Cable gland IP68, nickel-plated brass	Connection range 11 – 18 mm	25	Z5.507.1521.0	10
Contact inserts				
See the product matrix			Page 24–25	

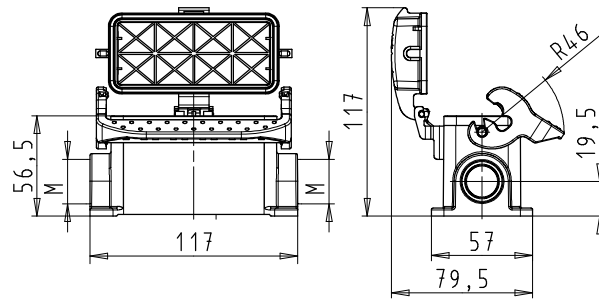
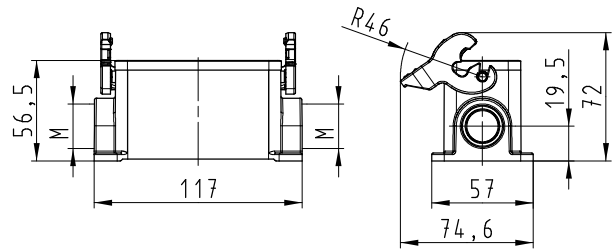
Dimensions

Bases

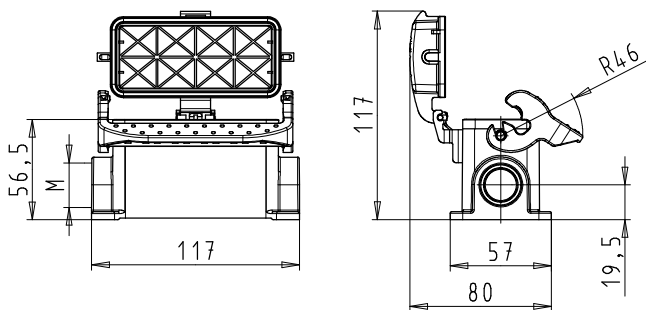
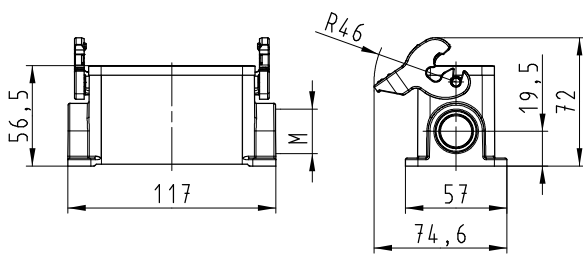
open



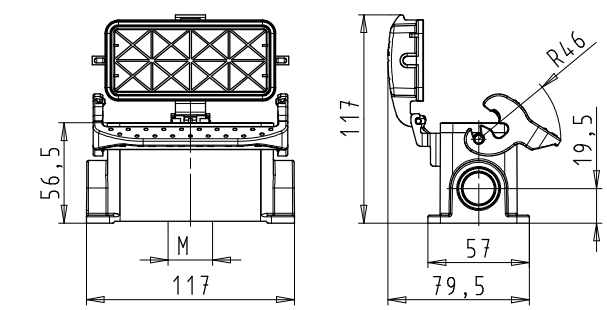
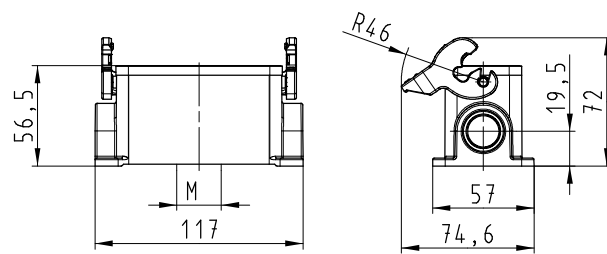
closed, 2 cable glands



closed, 1 cable gland



closed, 1 cable gland, bottom



Bases, single locking lever

Size 16H, increased height design

Bases Size 16H, increased height design

closed M25 2 cable glands without cover with cover



closed M32 2 cable glands without cover with cover



closed M25 1 cable gland, bottom without cover with cover



Description	Type	M	Part No.	P.U.
Bases, size 16H				
Aluminum housing				
Closed-bottom base				
2 cable glands, 2 x M25				
without cover				
with cable gland, IP54, $\rightarrow \varnothing $ 7.5 – 19 mm	BAS GUT GL 16H M25 A0	25	76.330.4035.0	1
with threaded collar	BAS GUT GL 16H M25 A1	25	76.330.4035.1	1
with cover				
with cable gland, IP54, $\rightarrow \varnothing $ 7.5 – 19 mm	BAS GUT GR 16H M25 A0	25	76.340.4035.0	1
with threaded collar	BAS GUT GR 16H M25 A1	25	76.340.4035.1	1
2 cable glands, 2 x M32				
without cover				
with cable gland, IP54, $\rightarrow \varnothing $ 15 – 26.5 mm	BAS GUT GL 16H M32 A0	32	76.334.4035.0	1
with threaded collar	BAS GUT GL 16H M32 A1	32	76.334.4035.1	1
with cover				
with cable gland, IP54, $\rightarrow \varnothing $ 15 – 26.5 mm	BAS GUT GR 16H M32 A0	32	76.344.4035.0	1
with threaded collar	BAS GUT GR 16H M32 A1	32	76.344.4035.1	1
1 cable gland, left, 1 x M25				
without cover				
with cable gland, IP54, $\rightarrow \varnothing $ 7.5 – 19 mm	BAS GUT GM 16H M25 A0	25	76.331.4035.0	1
with threaded collar	BAS GUT GM 16H M25 A1	25	76.331.4035.1	1
with cover				
with cable gland, IP54, $\rightarrow \varnothing $ 7.5 – 19 mm	BAS GUT GS 16H M25 A0	25	76.341.4035.0	1
with threaded collar	BAS GUT GS 16H M25 A1	25	76.341.4035.1	1
1 cable gland, left, 1 x M32				
without cover				
with cable gland, IP54, $\rightarrow \varnothing $ 15 – 26.5 mm	BAS GUT GM 16H M32 A0	32	76.335.4035.0	1
with threaded collar	BAS GUT GM 16H M32 A1	32	76.335.4035.1	1
with cover				
with cable gland, IP54, $\rightarrow \varnothing $ 15 – 26.5 mm	BAS GUT GS 16H M32 A0	32	76.345.4035.0	1
with threaded collar	BAS GUT GS 16H M32 A1	32	76.345.4035.1	1
1 cable gland, right, 1 x M25				
with cover				
with cable gland, IP54, $\rightarrow \varnothing $ 7.5 – 19 mm	BAS GUT GT 16H M25 A0	25	76.342.4035.0	1
with threaded collar	BAS GUT GT 16H M25 A1	25	76.342.4035.1	1
1 cable gland, right, 1 x M32				
with cover				
with cable gland, IP54, $\rightarrow \varnothing $ 15 – 26.5 mm	BAS GUT GT 16H M32 A0	32	76.346.4035.0	1
with threaded collar	BAS GUT GT 16H M32 A1	32	76.346.4035.1	1
1 cable gland, bottom, 1 x M25				
without cover				
with cable gland, IP54, $\rightarrow \varnothing $ 7.5 – 19 mm	BAS GUT GO 16H M25 A0	25	76.333.4035.0	1
with threaded collar	BAS GUT GO 16H M25 A1	25	76.333.4035.1	1
with cover				
with cable gland, IP54, $\rightarrow \varnothing $ 7.5 – 19 mm	BAS GUT GU 16H M25 A0	25	76.343.4035.0	1
with threaded collar	BAS GUT GU 16H M25 A1	25	76.343.4035.1	1
1 cable gland, bottom, 1 x M32				
without cover				
with cable gland, IP54, $\rightarrow \varnothing $ 15 – 26.5 mm	BAS GUT GO 16H M32 A0	32	76.337.4035.0	1
with threaded collar	BAS GUT GO 16H M32 A1	32	76.337.4035.1	1
with cover				
with cable gland, IP54, $\rightarrow \varnothing $ 15 – 26.5 mm	BAS GUT GU 16H M32 A0	32	76.347.4035.0	1
with threaded collar	BAS GUT GU 16H M32 A1	32	76.347.4035.1	1

Technical data

Material	Die cast aluminum alloy
Surface	powder coated
Locking levers	Handle: Polyamide, UL94-V0; stainless steel: V2A
Gasket	NBR

Degree of protection

with latched locking levers	IP54
with appropriate cable glands	IP65
Temperature range	-40 ... +120 °C

Description	Type	M	Part No.	P.U.
-------------	------	---	----------	------

Accessories

Cable gland IP68, plastic material, gray	Connection range 7 – 16 mm	25	Z5.507.1553.0	10
Cable gland IP68, nickel-plated brass	Connection range 11 – 18 mm	25	Z5.507.1521.0	10
Cable gland IP68, plastic material, gray	Connection range 10 – 21 mm	32	Z5.507.1753.0	10
Cable gland IP68, nickel-plated brass	Connection range 15 – 21 mm	32	Z5.507.1721.0	10

Contact inserts

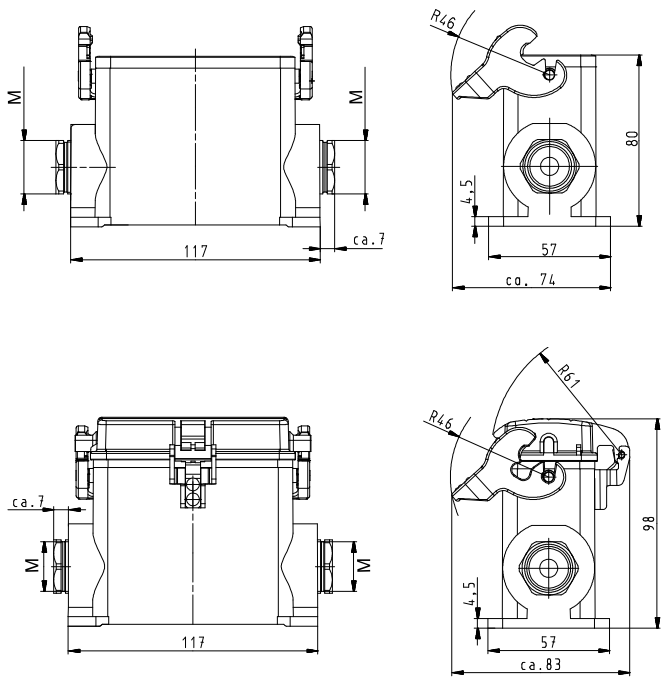
See the product matrix	Page 24–25
------------------------	------------

All Bases on this page are also available in M40 design.
Part numbers available on request.

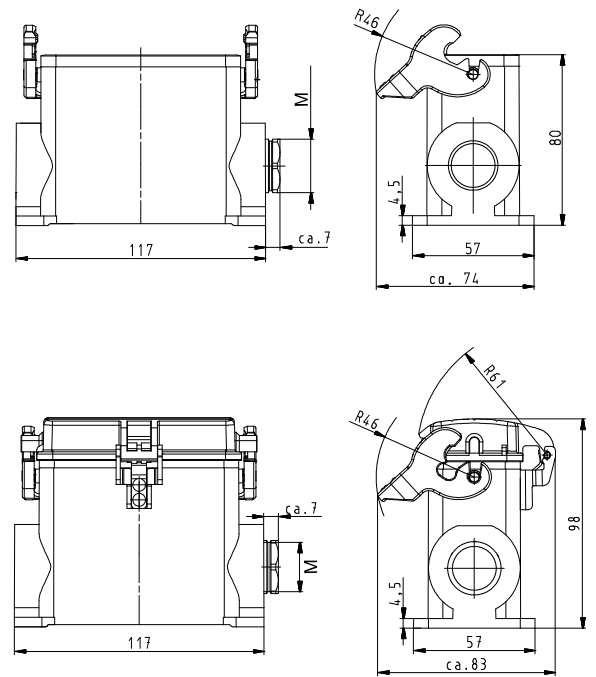
Dimensions

Bases

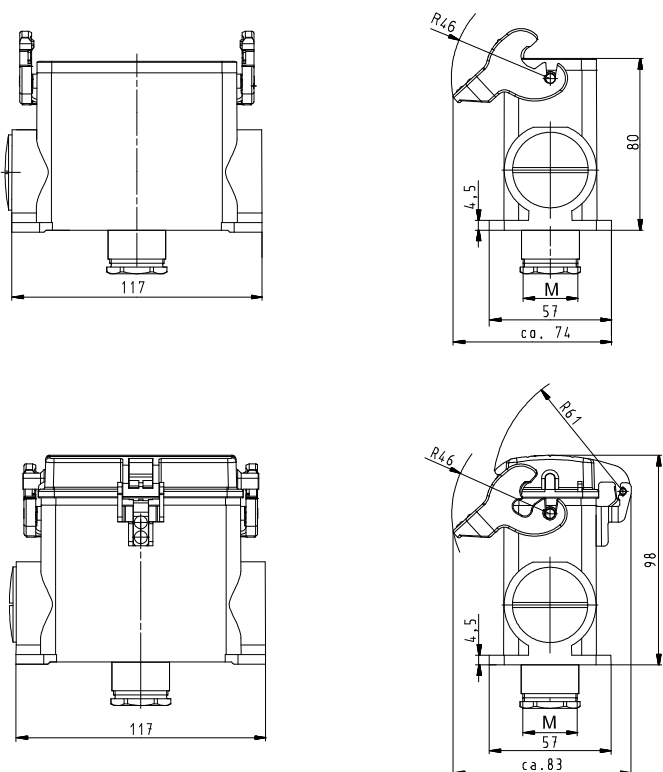
closed, 2 cable glands



closed, 1 cable gland



closed, 1 cable gland, bottom



Hoods, double locking lever

Size 16

Hoods Size 16



Lateral cable entry



Top cable entry

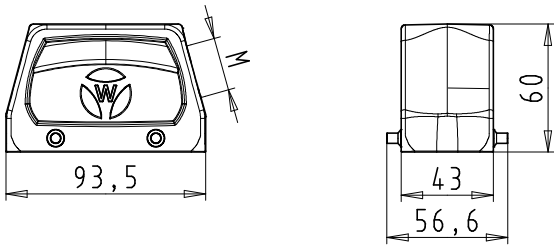


Description	Type	M	Part No.	P.U.
Hoods, size 16				
Aluminum housing				
Lateral cable entry M25				
with cable gland, IP54, $\rightarrow \text{Ø} \leftarrow$ 7.5 – 19 mm	BAS GOT GA 16 M25 A0	25	70.350.1635.0	1
with threaded collar	BAS GOT GA 16 M25 A1	25	70.350.1635.1	1
Lateral cable entry M32				
with cable gland, IP54, $\rightarrow \text{Ø} \leftarrow$ 15 – 26.5 mm	BAS GOT GA 16 M32 A0	32	70.353.1635.0	1
with threaded collar	BAS GOT GA 16 M32 A1	32	70.353.1635.1	1
Top cable entry M25				
with cable gland, IP54, $\rightarrow \text{Ø} \leftarrow$ 7.5 – 19 mm	BAS GOT GC 16 M25 A0	25	70.352.1635.0	1
with threaded collar	BAS GOT GC 16 M25 A1	25	70.352.1635.1	1
Top cable entry M32				
with cable gland, IP54, $\rightarrow \text{Ø} \leftarrow$ 15 – 26.5 mm	BAS GOT GC 16 M32 A0	32	70.354.1635.0	1
with threaded collar	BAS GOT GC 16 M32 A1	32	70.354.1635.1	1
Technical data				
Material	Die cast aluminum alloy			
Surface	powder coated			
Locking levers	-			
Gasket	-			
Degree of protection				
with latched locking levers	IP54			
with appropriate cable glands	IP65			
Temperature range	-40 ... +120 °C			
Description	Type	M	Part No.	P.U.
Accessories				
Cable gland IP68, plastic material, gray	Connection range 7 – 16 mm	25	Z5.507.1553.0	10
Cable gland IP68, nickel-plated brass	Connection range 11 – 18 mm	25	Z5.507.1521.0	10
Cable gland IP68, plastic material, gray	Connection range 10 – 21 mm	32	Z5.507.1753.0	10
Cable gland IP68, nickel-plated brass	Connection range 15 – 21 mm	32	Z5.507.1721.0	10
Strain relief IP54, nickel-plated brass	Connection range 14 – 20 mm	25	Z5.507.9721.0	10
Strain relief IP54, nickel-plated brass	Connection range 19 – 29 mm	32	Z5.507.9821.0	10
Contact inserts				
See the product matrix			Page 24–25	

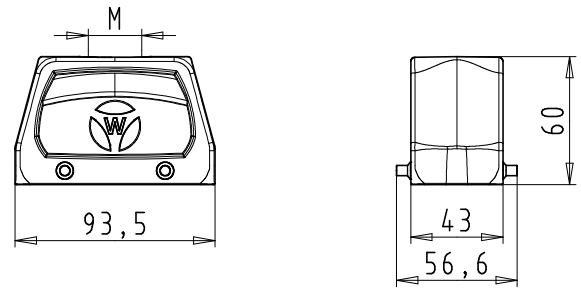
Dimensions

Hoods

500 V Size 16
Lateral cable entry



500 V Size 16
Top cable entry



Hoods, double locking lever with Locking levers, Size 16

Hoods Size 16



Lateral cable entry



Top cable entry



Multipole connectors for cable-to-cable couplings

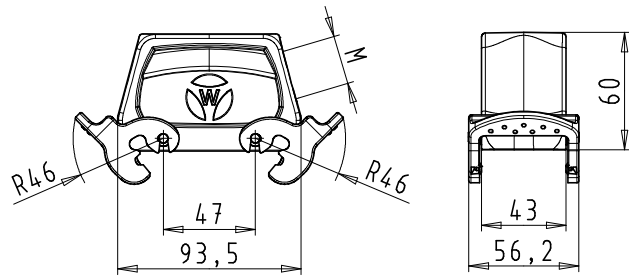


Description	Type	M	Part No.	P.U.
Hoods, size 16				
Aluminum housing				
Lateral cable entry M25				
with cable gland, IP54, $\rightarrow \text{Ø} \leftarrow$ 7.5 – 19 mm	BAS GOT GD 16 M25 A0	25	70.355.1635.0	1
with threaded collar	BAS GOT GD 16 M25 A1	25	70.355.1635.1	1
Lateral cable entry M32				
with cable gland, IP54, $\rightarrow \text{Ø} \leftarrow$ 15 – 26.5 mm	BAS GOT GD 16 M32 A0	32	70.358.1635.0	1
with threaded collar	BAS GOT GD 16 M32 A1	32	70.358.1635.1	1
Top cable entry M25				
with cable gland, IP54, $\rightarrow \text{Ø} \leftarrow$ 7.5 – 19 mm	BAS GOT GF 16 M25 A0	25	70.357.1635.0	1
with threaded collar	BAS GOT GF 16 M25 A1	25	70.357.1635.1	1
Top cable entry M32				
with cable gland, IP54, $\rightarrow \text{Ø} \leftarrow$ 15 – 26.5 mm	BAS GOT GF 16 M32 A0	32	70.359.1635.0	1
with threaded collar	BAS GOT GF 16 M32 A1	32	70.359.1635.1	1
Multipole connectors for cable-to-cable couplings M25				
with cable gland, IP54, $\rightarrow \text{Ø} \leftarrow$ 7.5 – 19 mm	BAS GOT GC 16 M25 A0	25	70.352.1635.0	1
with cable gland, IP54, $\rightarrow \text{Ø} \leftarrow$ 7.5 – 19 mm Locking levers and gasket	BAS GOT GK 16 M25 A0	25	70.372.1635.0	1
with threaded collar	BAS GOT GC 16 M25 A1	25	70.352.1635.1	1
with threaded collar, locking levers and gasket	BAS GOT GK 16 M25 A1	25	70.372.1635.1	1
Technical data				
Material	Die cast aluminum alloy			
Surface	powder coated			
Locking levers	Handle: Polyamide, UL94-V0; stainless steel: V2A			
Gasket for Multipole connectors	NBR			
Degree of protection				
with latched locking levers	IP54			
with appropriate cable glands	IP65			
Temperature range	-40 ... +120 °C			
Description	Type	M	Part No.	P.U.
Accessories				
Cable gland IP68, plastic material, gray	Connection range 7 – 16 mm	25	Z5.507.1553.0	10
Cable gland IP68, nickel-plated brass	Connection range 11 – 18 mm	25	Z5.507.1521.0	10
Cable gland IP68, plastic material, gray	Connection range 10 – 21 mm	32	Z5.507.1753.0	10
Cable gland IP68, nickel-plated brass	Connection range 15 – 21 mm	32	Z5.507.1721.0	10
Strain relief IP54, nickel-plated brass	Connection range 14 – 20 mm	25	Z5.507.9721.0	10
Strain relief IP54, nickel-plated brass	Connection range 19 – 29 mm	32	Z5.507.9821.0	10
Contact inserts				
See the product matrix			Page 24–25	

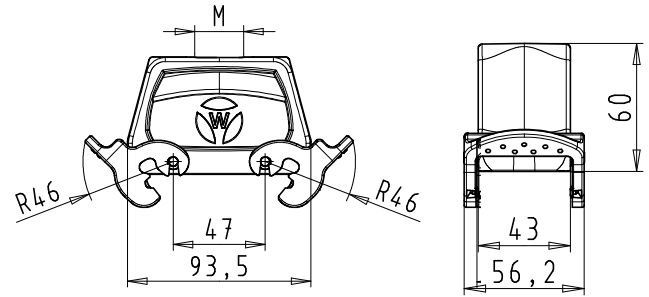
Dimensions

Hoods with Locking levers

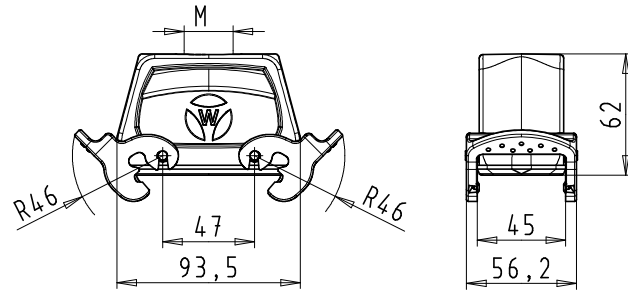
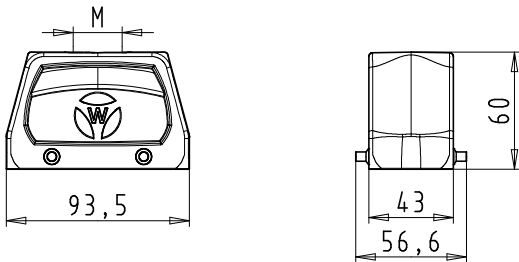
Lateral cable entry



Top cable entry



Multipole connectors for cable-to-cable couplings



Hoods, double locking lever Size 16H, increased height design

Hoods Size 16H, increased height design

Lateral cable entry



Top cable entry



Multipole connectors for cable-to-cable couplings

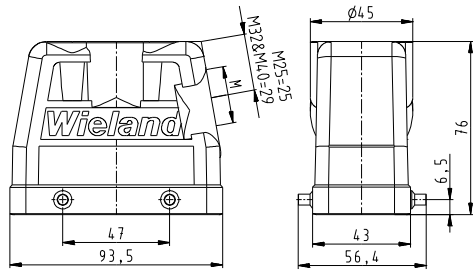


Description	Type	M	Part No.	P.U.
Hoods, size 16H				
Aluminum housing				
Lateral cable entry M25				
with cable gland, IP54, $\rightarrow \text{Ø} \leftarrow$ 7.5 – 19 mm	BAS GOT GA 16H M25 A0	25	73.350.4035.0	1
with threaded collar	BAS GOT GA 16H M25 A1	25	73.350.4035.1	1
Lateral cable entry M32				
with cable gland, IP54, $\rightarrow \text{Ø} \leftarrow$ 15 – 26.5 mm	BAS GOT GA 16H M32 A0	32	73.353.4035.0	1
with threaded collar	BAS GOT GA 16H M32 A1	32	73.353.4035.1	1
Lateral cable entry M40				
with cable gland, IP54, $\rightarrow \text{Ø} \leftarrow$ 23 – 32 mm	BAS GOT GA 16H M40 A0	40	73.360.4035.0	1
with threaded collar	BAS GOT GA 16H M40 A1	40	73.360.4035.1	1
Top cable entry M25				
with cable gland, IP54, $\rightarrow \text{Ø} \leftarrow$ 7.5 – 19 mm	BAS GOT GC 16H M25 A0	25	73.352.4035.0	1
with threaded collar	BAS GOT GC 16H M25 A1	25	73.352.4035.1	1
Top cable entry M32				
with cable gland, IP54, $\rightarrow \text{Ø} \leftarrow$ 15 – 26.5 mm	BAS GOT GC 16H M32 A0	32	73.354.4035.0	1
with threaded collar	BAS GOT GC 16H M32 A1	32	73.354.4035.1	1
Top cable entry M40				
with cable gland, IP54, $\rightarrow \text{Ø} \leftarrow$ 23 – 32 mm	BAS GOT GC 16H M40 A0	40	73.362.4035.0	1
with threaded collar	BAS GOT GC 16H M40 A1	40	73.362.4035.1	1
Multipole connectors for cable-to-cable couplings M32				
with threaded collar, locking levers and gasket	BAS GOT GK 16H M32 A1	32	73.374.4035.1	1
Technical data				
Material	Die cast aluminum alloy			
Surface	powder coated			
Locking levers	-			
Gasket	-			
Degree of protection				
with latched locking levers	IP54			
with appropriate cable glands	IP65			
Temperature range	-40 ... +120 °C			
Description	Type	M	Part No.	P.U.
Accessories				
Cable gland IP68, plastic material, gray	Connection range 7 – 16 mm	25	Z5.507.1553.0	10
Cable gland IP68, nickel-plated brass	Connection range 11 – 18 mm	25	Z5.507.1521.0	10
Cable gland IP68, plastic material, gray	Connection range 10 – 21 mm	32	Z5.507.1753.0	10
Cable gland IP68, nickel-plated brass	Connection range 15 – 21 mm	32	Z5.507.1721.0	10
Cable gland IP68, plastic material, gray	Connection range 16 – 28 mm	40	Z5.507.1953.0	1
Cable gland IP68, nickel-plated brass	Connection range 19 – 27 mm	40	Z5.507.1921.0	1
Strain relief IP54, nickel-plated brass	Connection range 14 – 20 mm	25	Z5.507.9721.0	10
Strain relief IP54, nickel-plated brass	Connection range 19 – 29 mm	32	Z5.507.9821.0	10
Contact inserts				
See the product matrix			Page 24–25	

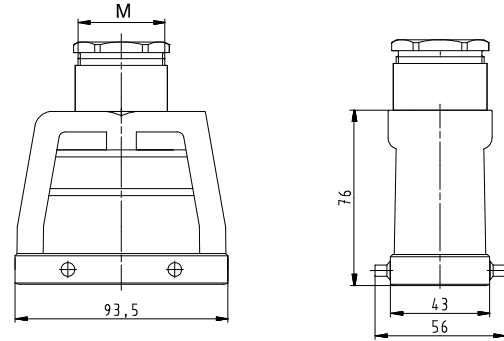
Dimensions

Hoods

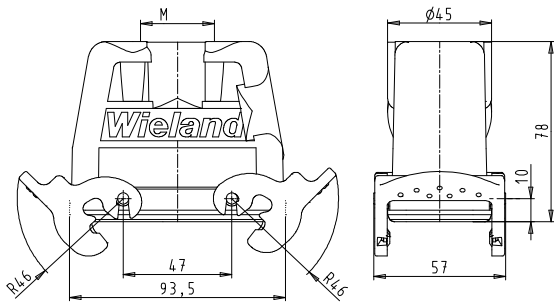
Lateral cable entry



Top cable entry



Multipole connectors for cable-to-cable couplings



Hoods, double locking lever with Locking levers, Size 16H, increased height design

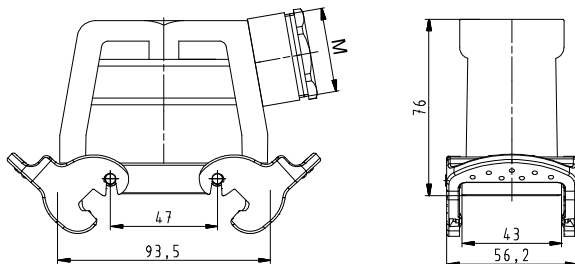


Description	Type	M	Part No.	P.U.
Hoods, size 16H				
Aluminum housing				
Lateral cable entry M25				
with cable gland, IP54, $\rightarrow \text{Ø} \leftarrow 7.5 - 19 \text{ mm}$	BAS GOT GD 16H M25 A0	25	73.355.4035.0	1
with threaded collar	BAS GOT GD 16H M25 A1	25	73.355.4035.1	1
Lateral cable entry M32				
with cable gland, IP54, $\rightarrow \text{Ø} \leftarrow 15 - 26.5 \text{ mm}$	BAS GOT GD 16H M32 A0	32	73.358.4035.0	1
with threaded collar	BAS GOT GD 16H M32 A1	32	73.358.4035.1	1
Top cable entry M25				
with cable gland, IP54, $\rightarrow \text{Ø} \leftarrow 7.5 - 19 \text{ mm}$	BAS GOT GF 16H M25 A0	25	73.357.4035.0	1
with threaded collar	BAS GOT GF 16H M25 A1	25	73.357.4035.1	1
Top cable entry M32				
with cable gland, IP54, $\rightarrow \text{Ø} \leftarrow 15 - 26.5 \text{ mm}$	BAS GOT GF 16H M32 A0	32	73.359.4035.0	1
with threaded collar	BAS GOT GF 16H M32 A1	32	73.359.4035.1	1
Technical data				
Material metal/plastic	Die cast aluminum alloy			
Surface	powder coated			
Locking levers	Handle: Polyamide, UL94-V0; stainless steel: V2A			
Gasket	-			
Degree of protection				
with latched locking levers	IP54			
with appropriate cable glands	IP65			
Temperature range	-40 ... +120 °C			
Description	Type	M	Part No.	P.U.
Accessories				
Cable gland IP68, plastic material, gray	Connection range 7 – 16 mm	25	Z5.507.1553.0	10
Cable gland IP68, nickel-plated brass	Connection range 11 – 18 mm	25	Z5.507.1521.0	10
Cable gland IP68, plastic material, gray	Connection range 10 – 21 mm	32	Z5.507.1753.0	10
Cable gland IP68, nickel-plated brass	Connection range 15 – 21 mm	32	Z5.507.1721.0	10
Strain relief IP54, nickel-plated brass	Connection range 14 – 20 mm	25	Z5.507.9721.0	10
Strain relief IP54, nickel-plated brass	Connection range 19 – 29 mm	32	Z5.507.9821.0	10
Contact inserts				
See the product matrix			Page 24–25	

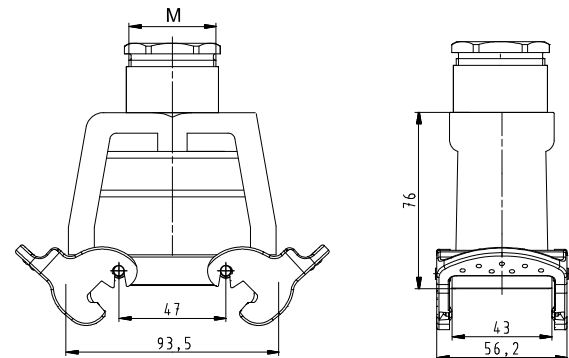
Dimensions

Hoods


Lateral cable entry



Top cable entry

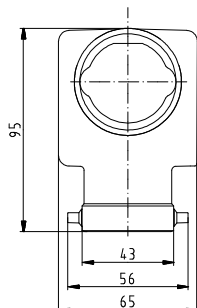
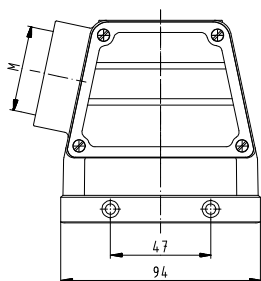


Hoods, double locking lever Size 16XL

Hoods Size 16XL Lateral cable entry with intermediate support 	Description		Type	M	Part No.	P.U.	
	Hoods, size 16XL		Aluminum housing				
	Lateral cable entry M40						
	with intermediate support		POW GOT GA 16 M40 69 A2	40	72.250.1635.2	1	
	Technical data						
	Material		Die cast aluminum alloy				
	Surface		powder coated				
	Locking levers		-				
	Gasket		-				
	Degree of protection						
with latched locking levers		-					
with appropriate cable glands		IP65					
Temperature range		-40 ... +120 °C					
Description		Type	M	Part No.	P.U.		
Accessories							
Cable gland IP68, plastic material, gray		Connection range 16 – 28 mm	40	Z5.507.1953.0	1		
Cable gland IP68, nickel-plated brass		Connection range 19 – 27 mm	40	Z5.507.1921.0	1		
Contact inserts							
See the product matrix					Page 24–25		

Dimensions

Lateral cable entry



Bases, double locking lever

Size 16

Bases, Size 16



open

without cover
with cover



closed

1 cable gland, lateral

without cover
with cover



closed

1 cable gland, bottom

without cover
with cover

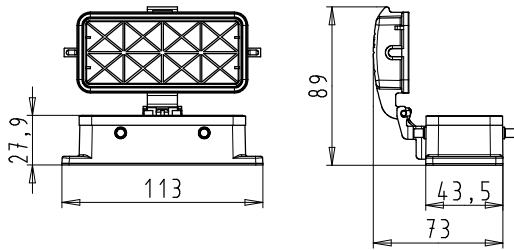
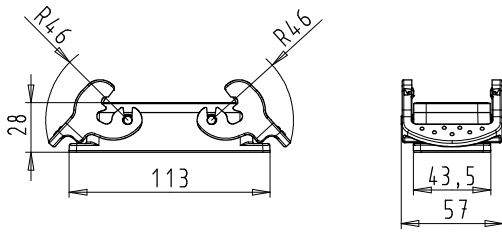


Description	Type	M	Part No.	P.U.
Bases, size 16		Aluminum housing		
Open-bottom base				
without cover	BAS GUT GA 16 A		70.320.1628.0	1
with cover	BAS GUT GE 16 A		70.325.1628.0	1
Closed-bottom base				
2 cable glands, 2 x M25				
without cover				
with cable gland, IP54, $\rightarrow \text{Ø} \leftarrow 7.5 - 19 \text{ mm}$	BAS GUT GB 16 M25 A0	25	70.330.1635.0	1
with threaded collar	BAS GUT GB 16 M25 A1	25	70.330.1635.1	1
with cover				
with cable gland, IP54, $\rightarrow \text{Ø} \leftarrow 7.5 - 19 \text{ mm}$	BAS GUT GF 16 M25 A0	25	70.340.1635.0	1
with threaded collar	BAS GUT GF 16 M25 A1	25	70.340.1635.1	1
1 cable gland, left, 1 x M25				
without cover				
with cable gland, IP54, $\rightarrow \text{Ø} \leftarrow 7.5 - 19 \text{ mm}$	BAS GUT GC 16 M25 A0	25	70.331.1635.0	1
with threaded collar	BAS GUT GC 16 M25 A1	25	70.331.1635.1	1
with cover				
with cable gland, IP54, $\rightarrow \text{Ø} \leftarrow 7.5 - 19 \text{ mm}$	BAS GUT GG 16 M25 A0	25	70.341.1635.0	1
with threaded collar	BAS GUT GG 16 M25 A1	25	70.341.1635.1	1
1 cable gland, right, 1 x M25				
with cover				
with cable gland, IP54, $\rightarrow \text{Ø} \leftarrow 7.5 - 19 \text{ mm}$	BAS GUT GH 16 M25 A0	25	70.342.1635.0	1
with threaded collar	BAS GUT GH 16 M25 A1	25	70.342.1635.1	1
1 cable gland, bottom, 1 x M25				
without cover				
with cable gland, IP54, $\rightarrow \text{Ø} \leftarrow 7.5 - 19 \text{ mm}$	BAS GUT GD 16 M25 A0	25	70.333.1635.0	1
with threaded collar	BAS GUT GD 16 M25 A1	25	70.333.1635.1	1
with cover				
with cable gland, IP54, $\rightarrow \text{Ø} \leftarrow 7.5 - 19 \text{ mm}$	BAS GUT GI 16 M25 A0	25	70.343.1635.0	1
with threaded collar	BAS GUT GI 16 M25 A1	25	70.343.1635.1	1
Technical data				
Material	Die cast aluminum alloy			
Surface	powder coated			
Locking levers	Handle: Polyamide, UL94-V0; stainless steel: V2A			
Gasket	NBR			
Degree of protection				
with latched locking levers	IP54			
with appropriate cable glands	IP65			
Temperature range	-40 ... +120 °C			
Description	Type	M	Part No.	P.U.
Accessories				
Cable gland IP68, plastic material, gray	Connection range 7 – 16 mm	25	Z5.507.1553.0	10
Cable gland IP68, nickel-plated brass	Connection range 11 – 18 mm	25	Z5.507.1521.0	10
Contact inserts				
See the product matrix			Page 24–25	

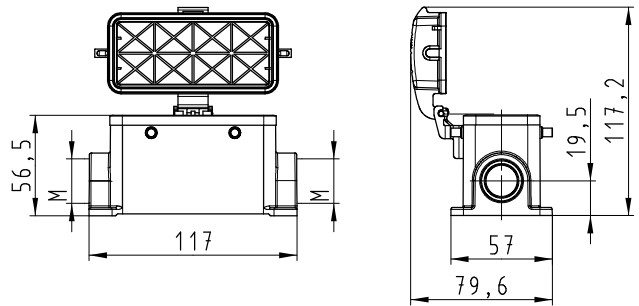
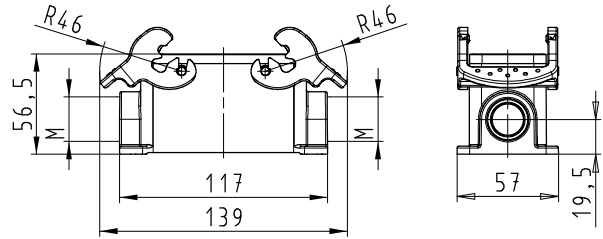
Dimensions

Bases

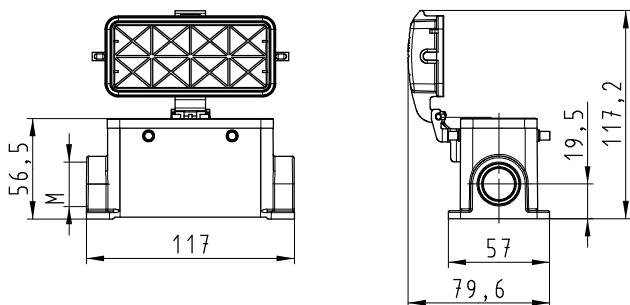
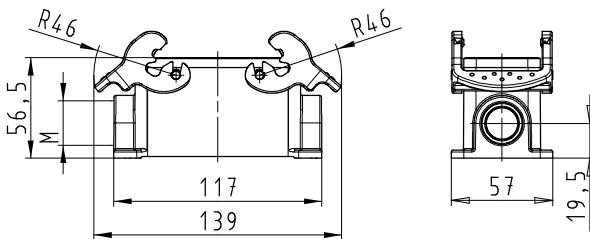
open



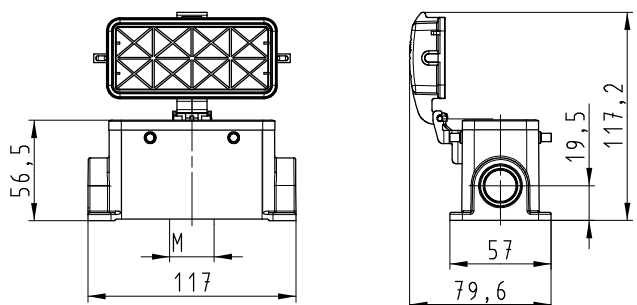
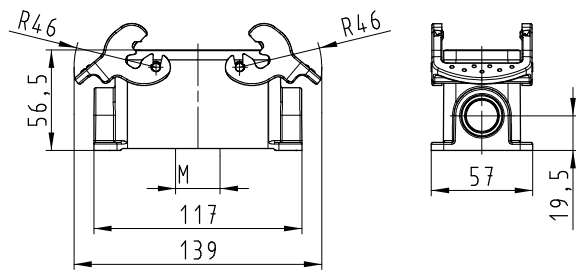
closed, 2 cable glands



closed, 1 cable gland



closed, 1 cable gland, bottom



Bases, double locking lever Size 16H, increased height design

Bases Size 16H, increased height design

closed M25 2 cable glands without cover with cover



closed M32 2 cable glands without cover with cover



closed M25 1 cable gland, bottom without cover with cover



Description	Type	M	Part No.	P.U.
Bases, size 16H	Aluminum housing			
Closed-bottom base				
2 cable glands, 2 x M25				
without cover				
with cable gland, IP54, $\rightarrow \text{Ø}$ 7.5 – 19 mm	BAS GUT GB 16H M25 A0	25	73.330.4035.0	1
with threaded collar	BAS GUT GB 16H M25 A1	25	73.330.4035.1	1
with cover				
with cable gland, IP54, $\rightarrow \text{Ø}$ 7.5 – 19 mm	BAS GUT GF 16H M25 A0	25	73.340.4035.0	1
with threaded collar	BAS GUT GF 16H M25 A1	25	73.340.4035.1	1
2 cable glands, 2 x M32				
without cover				
with cable gland, IP54, $\rightarrow \text{Ø}$ 15 – 26.5 mm	BAS GUT GB 16H M32 A0	32	73.334.4035.0	1
with threaded collar	BAS GUT GB 16H M32 A1	32	73.334.4035.1	1
with cover				
with cable gland, IP54, $\rightarrow \text{Ø}$ 15 – 26.5 mm	BAS GUT GF 16H M32 A0	32	73.344.4035.0	1
with threaded collar	BAS GUT GF 16H M32 A1	32	73.344.4035.1	1
2 cable glands, 2 x M40				
without cover				
with threaded collar	BAS GUT GB 16H M40 A1	40	73.338.4035.1	1
1 cable gland, left, 1 x M25				
without cover				
with cable gland, IP54, $\rightarrow \text{Ø}$ 7.5 – 19 mm	BAS GUT GC 16H M25 A0	25	73.331.4035.0	1
with threaded collar	BAS GUT GC 16H M25 A1	25	73.331.4035.1	1
with cover				
with cable gland, IP54, $\rightarrow \text{Ø}$ 7.5 – 19 mm	BAS GUT GG 16H M25 A0	25	73.341.4035.0	1
with threaded collar	BAS GUT GG 16H M25 A1	25	73.341.4035.1	1
1 cable gland, left, 1 x M32				
without cover				
with cable gland, IP54, $\rightarrow \text{Ø}$ 15 – 26.5 mm	BAS GUT GC 16H M32 A0	32	73.335.4035.0	1
with threaded collar	BAS GUT GC 16H M32 A1	32	73.335.4035.1	1
with cover				
with cable gland, IP54, $\rightarrow \text{Ø}$ 15 – 26.5 mm	BAS GUT GG 16H M32 A0	32	73.345.4035.0	1
with threaded collar	BAS GUT GG 16H M32 A1	32	73.345.4035.1	1
1 cable gland, left, 1 x M40				
without cover				
with cable gland, IP54, $\rightarrow \text{Ø}$ 19 – 27 mm	BAS GUT GC 16H M40 A0	40	73.339.4035.0	1
with threaded collar	BAS GUT GC 16H M40 A1	40	73.339.4035.1	1
1 cable gland, right, 1 x M25				
with cover				
with cable gland, IP54, $\rightarrow \text{Ø}$ 7.5 – 19 mm	BAS GUT GH 16H M25 A0	25	73.342.4035.0	1
with threaded collar	BAS GUT GH 16H M25 A1	25	73.342.4035.1	1
1 cable gland, right, 1 x M32				
with cover				
with cable gland, IP54, $\rightarrow \text{Ø}$ 15 – 26.5 mm	BAS GUT GH 16H M32 A0	32	73.346.4035.0	1
with threaded collar	BAS GUT GH 16H M32 A1	32	73.346.4035.1	1
1 cable gland, bottom, 1 x M25				
without cover				
with cable gland, IP54, $\rightarrow \text{Ø}$ 7.5 – 19 mm	BAS GUT GD 16H M25 A0	25	73.333.4035.0	1
with threaded collar	BAS GUT GD 16H M25 A1	25	73.333.4035.1	1
with cover				
with cable gland, IP54, $\rightarrow \text{Ø}$ 7.5 – 19 mm	BAS GUT GI 16H M25 A0	25	73.343.4035.0	1
with threaded collar	BAS GUT GI 16H M25 A1	25	73.343.4035.1	1
1 cable gland, bottom, 1 x M32				
without cover				
with cable gland, IP54, $\rightarrow \text{Ø}$ 15 – 26.5 mm	BAS GUT GD 16H M32 A0	32	73.337.4035.0	1
with threaded collar	BAS GUT GD 16H M32 A1	32	73.337.4035.1	1
with cover				
with cable gland, IP54, $\rightarrow \text{Ø}$ 15 – 26.5 mm	BAS GUT GI 16H M32 A0	32	73.347.4035.0	1
with threaded collar	BAS GUT GI 16H M32 A1	32	73.347.4035.1	1
Technical data				
Material	Die cast aluminum alloy			
Surface	powder coated			
Locking levers	Handle: Polyamide, UL94-V0; stainless steel: V2A			
Gasket	NBR			
Degree of protection				
with latched locking levers	IP54			
with appropriate cable glands	IP65			
Temperature range	-40 ... +120 °C			

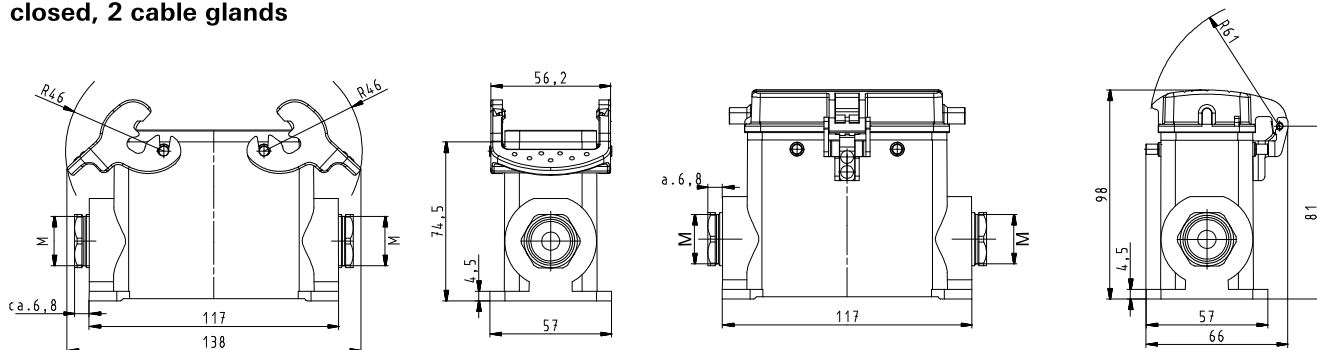
All Bases on this page are also available in M40 design.
Part numbers available on request.

Accessories, Dimensions

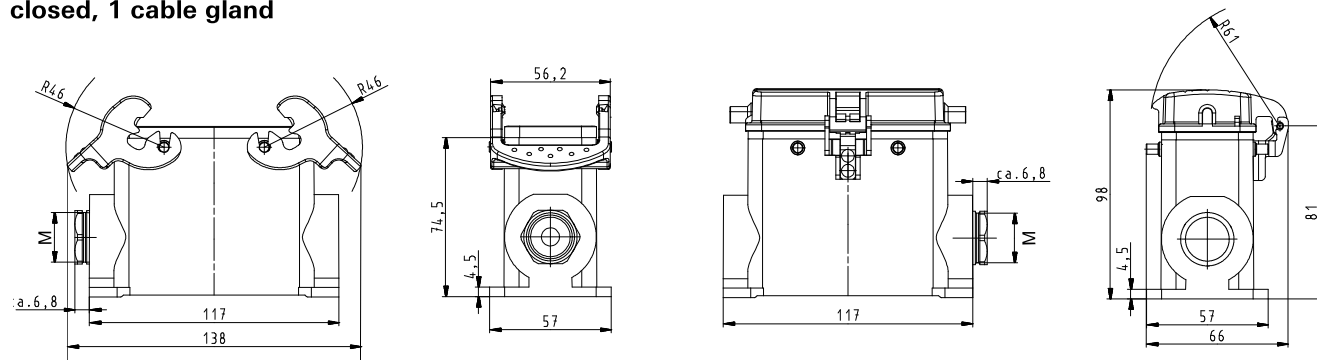
Description	Type	M	Part No.	P.U.
Accessories				
Cable gland IP68, plastic material, gray	Connection range 7 – 16 mm	25	Z5.507.1553.0	10
Cable gland IP68, nickel-plated brass	Connection range 11 – 18 mm	25	Z5.507.1521.0	10
Cable gland IP68, plastic material, gray	Connection range 10 – 21 mm	32	Z5.507.1753.0	10
Cable gland IP68, nickel-plated brass	Connection range 15 – 21 mm	32	Z5.507.1721.0	10
Cable gland IP68, plastic material, gray	Connection range 16 – 28 mm	40	Z5.507.1953.0	10
Cable gland IP68, nickel-plated brass	Connection range 19 – 27 mm	40	Z5.507.1921.0	10
Contact inserts				
See the product matrix			Page 24–25	

Bases

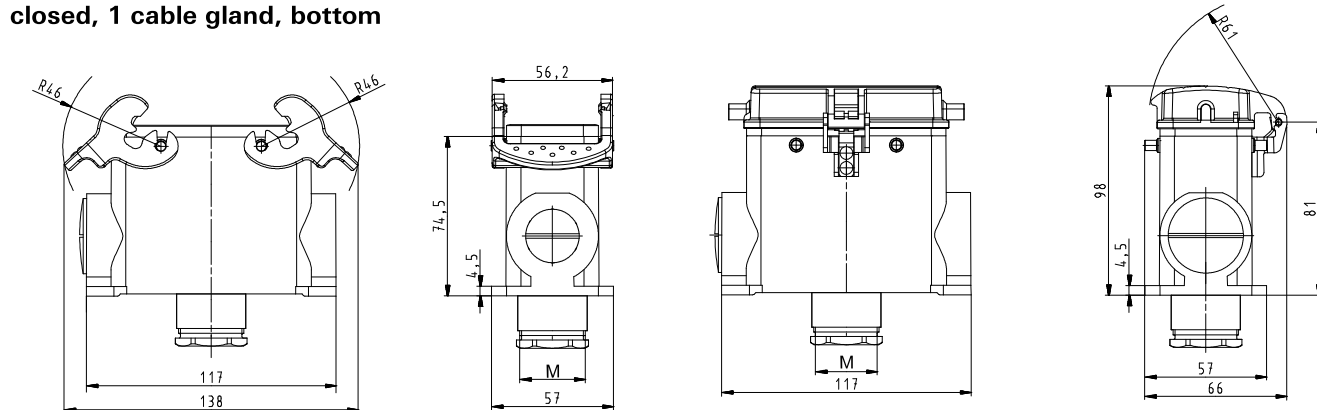
closed, 2 cable glands



closed, 1 cable gland



closed, 1 cable gland, bottom



Hoods, single locking lever

Size 24

Hoods Size 24



Lateral cable entry



Top cable entry



Multipole connectors for cable-to-cable couplings

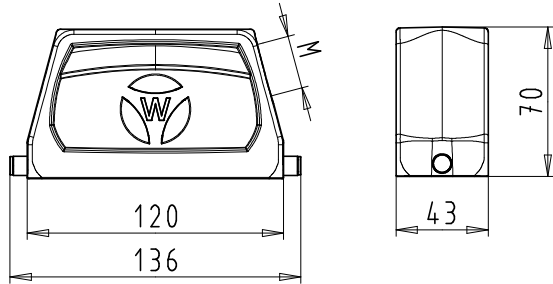


Description	Type	M	Part No.	P.U.
Hoods, size 24				
Aluminum housing				
Lateral cable entry M25				
with cable gland, IP54, $\rightarrow \text{Ø} \leftarrow$ 7.5 – 19 mm	BAS GOT GG 24 M25 A0	25	71.350.2435.0	1
with threaded collar	BAS GOT GG 24 M25 A1	25	71.350.2435.1	1
Lateral cable entry M32				
with cable gland, IP54, $\rightarrow \text{Ø} \leftarrow$ 15 – 26.5 mm	BAS GOT GG 24 M32 A0	32	71.353.2435.0	1
with threaded collar	BAS GOT GG 24 M32 A1	32	71.353.2435.1	1
Top cable entry M25				
with cable gland, IP54, $\rightarrow \text{Ø} \leftarrow$ 7.5 – 19 mm	BAS GOT GI 24 M25 A0	25	71.352.2435.0	1
with threaded collar	BAS GOT GI 24 M25 A1	25	71.352.2435.1	1
Top cable entry M32				
with cable gland, IP54, $\rightarrow \text{Ø} \leftarrow$ 15 – 26.5 mm	BAS GOT GI 24 M32 A0	32	71.354.2435.0	1
with threaded collar	BAS GOT GI 24 M32 A1	32	71.354.2435.1	1
Multipole connectors for cable-to-cable couplings M25				
with cable gland, IP54, $\rightarrow \text{Ø} \leftarrow$ 7.5 – 19 mm	BAS GOT GI 24 M25 A0	25	71.352.2435.0	1
with cable gland, IP54, $\rightarrow \text{Ø} \leftarrow$ 7.5 – 19 mm Locking levers and gasket	BAS GOT GL 24 M25 A0	25	71.372.2435.0	1
with threaded collar	BAS GOT GI 24 M25 A1	25	71.352.2435.1	1
with threaded collar Locking levers and gasket	BAS GOT GL 24 M25 A1	25	71.372.2435.1	1
Multipole connectors for cable-to-cable couplings M32				
with cable gland, IP54, $\rightarrow \text{Ø} \leftarrow$ 15 – 26.5 mm	BAS GOT GI 24 M32 A0	32	71.354.2435.0	1
with cable gland, IP54, $\rightarrow \text{Ø} \leftarrow$ 15 – 26.5 mm Locking levers and gasket	BAS GOT GL 24 M32 A0	32	71.374.2435.0	1
Technical data				
Material	Die cast aluminum alloy			
Surface	powder coated			
Locking levers at Multipole connectors	Handle: Polyamide, UL94-V0; stainless steel: V2A			
Gasket at Multipole connectors	NBR			
Degree of protection				
with latched locking levers	IP54			
with appropriate cable glands	IP65			
Temperature range	-40 ... +120 °C			
Description	Type	M	Part No.	P.U.
Accessories				
Cable gland IP68, plastic material, gray	Connection range 7 – 16 mm	25	Z5.507.1553.0	10
Cable gland IP68, nickel-plated brass	Connection range 11 – 18 mm	25	Z5.507.1521.0	10
Cable gland IP68, plastic material, gray	Connection range 10 – 21 mm	32	Z5.507.1753.0	10
Cable gland IP68, nickel-plated brass	Connection range 15 – 21 mm	32	Z5.507.1721.0	10
Strain relief IP54, nickel-plated brass	Connection range 14 – 20 mm	25	Z5.507.9721.0	10
Strain relief IP54, nickel-plated brass	Connection range 19 – 29 mm	32	Z5.507.9821.0	10
Contact inserts				
See the product matrix			Page 24–25	

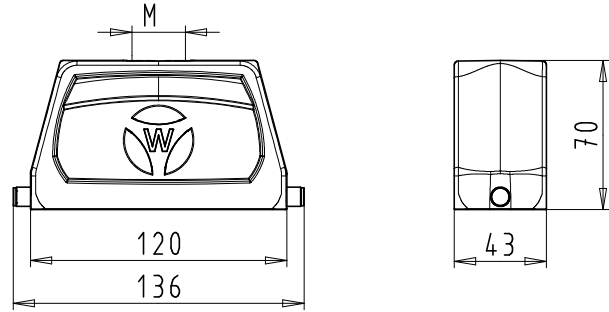
Dimensions

Hoods

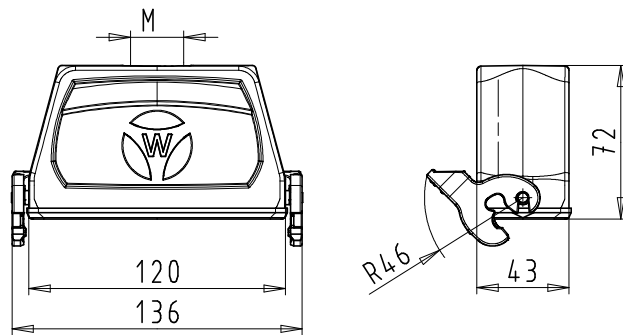
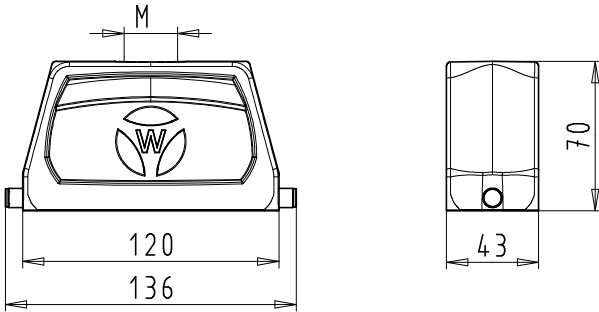
Lateral cable entry



Top cable entry



Multiple connectors for cable-to-cable couplings



Hoods, single locking lever

Size 24H, increased height design

Hoods Size 24H, increased height design

Lateral cable entry



Top cable entry

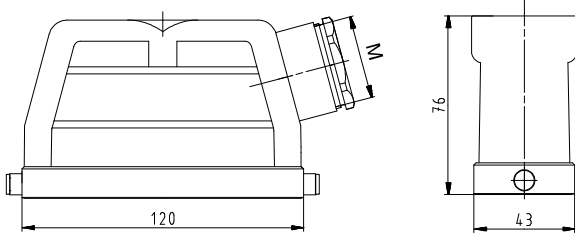


Description	Type	M	Part No.	P.U.
Hoods, size 24H				
Aluminum housing				
Lateral cable entry M25				
with cable gland, IP54, $\rightarrow \text{Ø} \leftarrow 7.5 - 19 \text{ mm}$	BAS GOT GG 24H M25 A0	25	76.350.6435.0	1
with threaded collar	BAS GOT GG 24H M25 A1	25	76.350.6435.1	1
Lateral cable entry M32				
with cable gland, IP54, $\rightarrow \text{Ø} \leftarrow 15 - 26.5 \text{ mm}$	BAS GOT GG 24H M32 A0	32	76.353.6435.0	1
with threaded collar	BAS GOT GG 24H M32 A1	32	76.353.6435.1	1
Lateral cable entry M40				
with threaded collar	BAS GOT GG 24H M40 A1	40	76.360.6435.1	1
Top cable entry M25				
with cable gland, IP54, $\rightarrow \text{Ø} \leftarrow 7.5 - 19 \text{ mm}$	BAS GOT GI 24H M25 A0	25	76.352.6435.0	1
with threaded collar	BAS GOT GI 24H M25 A1	25	76.352.6435.1	1
Top cable entry M32				
with cable gland, IP54, $\rightarrow \text{Ø} \leftarrow 15 - 26.5 \text{ mm}$	BAS GOT GI 24H M32 A0	32	76.354.6435.0	1
with threaded collar	BAS GOT GI 24H M32 A1	32	76.354.6435.1	1
Top cable entry M40				
with threaded collar	BAS GOT GI 24H M40 A1	40	76.362.6435.1	1
Technical data				
Material metal/plastic	Die cast aluminum alloy			
Surface	powder coated			
Locking levers	-			
Gasket	-			
Degree of protection				
with latched locking levers	IP54			
with appropriate cable glands	IP65			
Temperature range	-40 ... +120 °C			
Description	Type	M	Part No.	P.U.
Accessories				
Cable gland IP68, plastic material, gray	Connection range 7 – 16 mm	25	Z5.507.1553.0	10
Cable gland IP68, nickel-plated brass	Connection range 11 – 18 mm	25	Z5.507.1521.0	10
Cable gland IP68, plastic material, gray	Connection range 10 – 21 mm	32	Z5.507.1753.0	10
Cable gland IP68, nickel-plated brass	Connection range 15 – 21 mm	32	Z5.507.1721.0	10
Cable gland IP68, plastic material, gray	Connection range 16 – 28 mm	40	Z5.507.1953.0	1
Cable gland IP68, nickel-plated brass	Connection range 19 – 27 mm	40	Z5.507.1921.0	1
Strain relief IP54, nickel-plated brass	Connection range 14 – 20 mm	25	Z5.507.9721.0	10
Strain relief IP54, nickel-plated brass	Connection range 19 – 29 mm	32	Z5.507.9821.0	10
Contact inserts				
See the product matrix			Page 24–25	

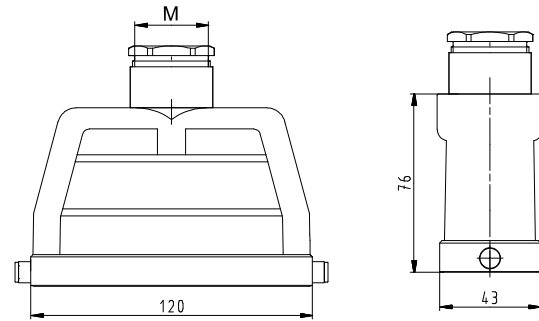
Dimensions

Hoods

Lateral cable entry



Top cable entry



Bases, single locking lever

Size 24

Bases, Size 24



open

without cover
with cover



closed

1 cable gland, lateral cable entry

without cover
with cover



closed

1 cable gland, bottom

without cover
with cover

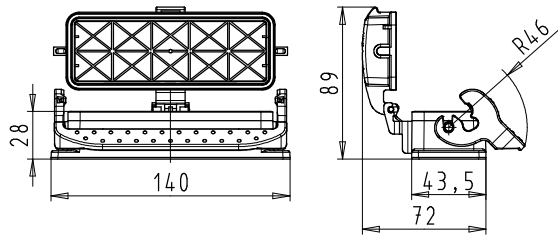
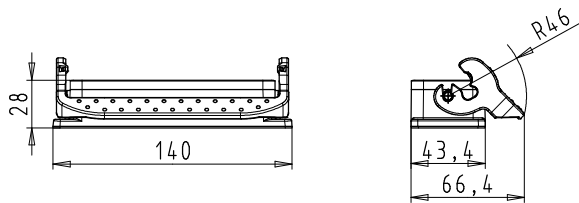


Description	Type	M	Part No.	P.U.
Bases, size 24				
Aluminum housing				
Open-bottom base				
without cover	BAS GUT GK 24 A		71.320.2428.0	1
with cover	BAS GUT GP 24 A		71.325.2428.0	1
Closed-bottom base				
2 cable glands, 2 x M25				
without cover				
with cable gland, IP54, $\rightarrow \text{Ø} \leftarrow$ 7.5–19 mm	BAS GUT GL 24 M25 A0	25	71.330.2435.0	1
with threaded collar	BAS GUT GL 24 M25 A1	25	71.330.2435.1	1
with cover				
with cable gland, IP54, $\rightarrow \text{Ø} \leftarrow$ 7.5–19 mm	BAS GUT GR 24 M25 A0	25	71.340.2435.0	1
with threaded collar	BAS GUT GR 24 M25 A1	25	71.340.2435.1	1
1 cable gland, left, 1 x M25				
without cover				
with cable gland, IP54, $\rightarrow \text{Ø} \leftarrow$ 7.5–19 mm	BAS GUT GM 24 M25 A0	25	71.331.2435.0	1
with threaded collar	BAS GUT GM 24 M25 A1	25	71.331.2435.1	1
with cover				
with cable gland, IP54, $\rightarrow \text{Ø} \leftarrow$ 7.5–19 mm	BAS GUT GS 24 M25 A0	25	71.341.2435.0	1
with threaded collar	BAS GUT GS 24 M25 A1	25	71.341.2435.1	1
1 cable gland, right, 1 x M25				
with cover				
with cable gland, IP54, $\rightarrow \text{Ø} \leftarrow$ 7.5–19 mm	BAS GUT GT 24 M25 A0	25	71.342.2435.0	1
with threaded collar	BAS GUT GT 24 M25 A1	25	71.342.2435.1	1
1 cable gland, bottom, 1 x M25				
without cover				
with cable gland, IP54, $\rightarrow \text{Ø} \leftarrow$ 7.5–19 mm	BAS GUT GO 24 M25 A0	25	71.333.2435.0	1
with threaded collar	BAS GUT GO 24 M25 A1	25	71.333.2435.1	1
with cover				
with cable gland, IP54, $\rightarrow \text{Ø} \leftarrow$ 7.5–19 mm	BAS GUT GU 24 M25 A0	25	71.343.2435.0	1
with threaded collar	BAS GUT GU 24 M25 A1	25	71.343.2435.1	1
Technical data				
Material	Die cast aluminum alloy			
Surface	powder coated			
Locking levers	Handle: Polyamide, UL94-V0; stainless steel: V2A			
Gasket	NBR			
Degree of protection				
with latched locking levers	IP54			
with appropriate cable glands	IP65			
Temperature range	-40 ... +120 °C			
Description	Type	M	Part No.	P.U.
Accessories				
Cable gland IP68, plastic material, gray	Connection range 7 – 16 mm	25	Z5.507.1553.0	10
Cable gland IP68, nickel-plated brass	Connection range 11 – 18 mm	25	Z5.507.1521.0	10
Contact inserts				
See the product matrix			Page 24–25	

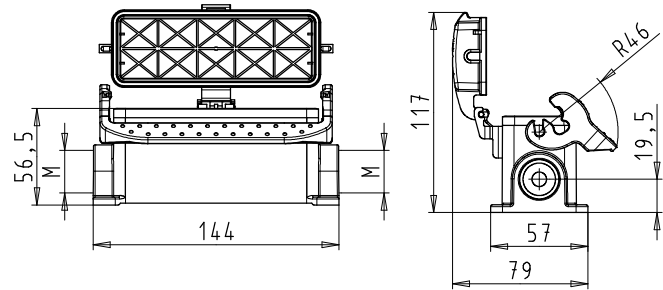
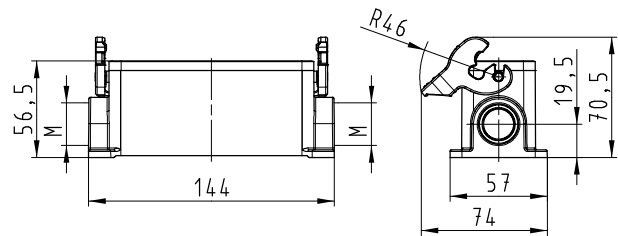
Dimensions

Bases

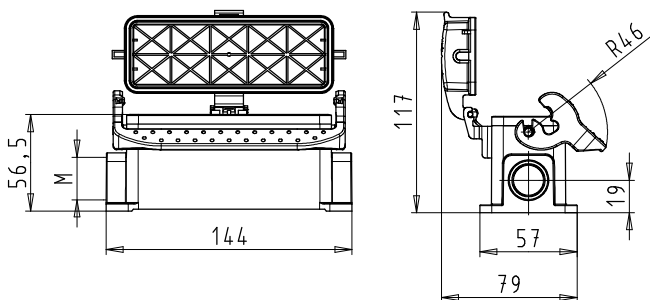
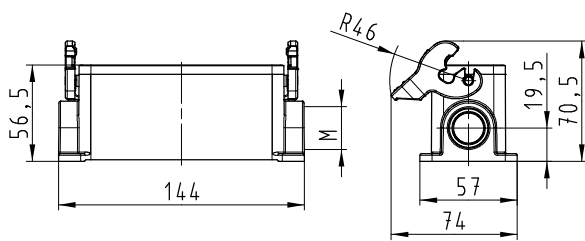
open



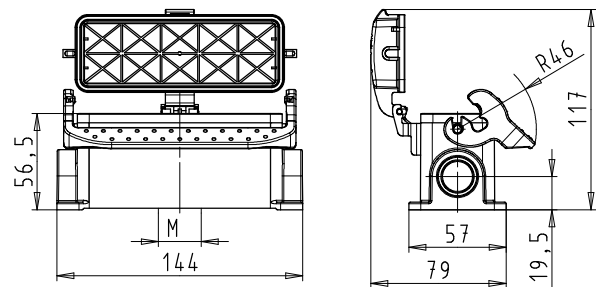
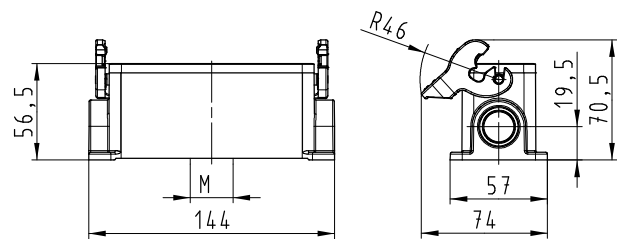
closed, 2 cable glands



closed, 1 cable gland, lateral cable entry



closed, 1 cable gland, bottom



Bases, single locking lever Size 24H, increased height design

Bases Size 24H, increased height design

closed
2 cable glands
without cover
with cover



closed
1 cable gland, bottom
without cover



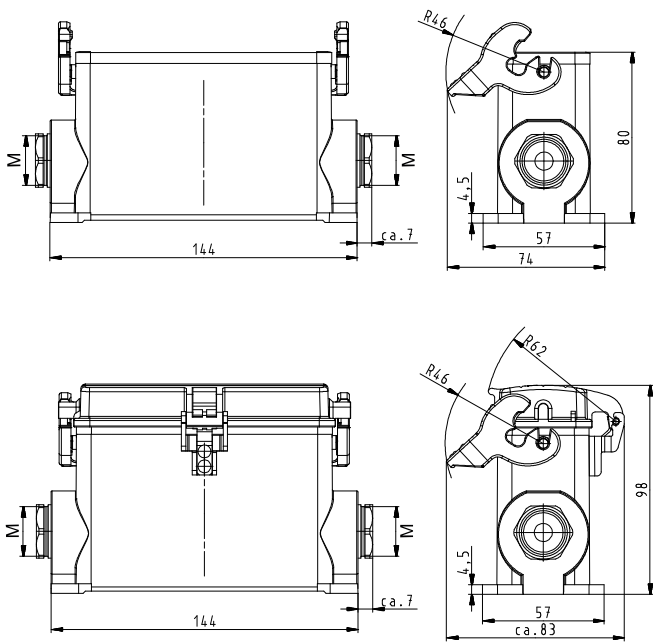
Description	Type	M	Part No.	P.U.
Bases, size 24H				
Aluminum housing				
Closed-bottom base				
2 cable glands, 2 x M32				
without cover				
with cable gland, IP54, $\rightarrow \text{Ø} \leftarrow 15 - 26.5 \text{ mm}$	BAS GUT GL 24H M32 A0	32	76.334.6435.0	1
with threaded collar	BAS GUT GL 24H M32 A1	32	76.334.6435.1	1
with cover				
with cable gland, IP54, $\rightarrow \text{Ø} \leftarrow 15 - 26.5 \text{ mm}$	BAS GUT GR 24H M32 A0	32	76.344.6435.0	1
with threaded collar	BAS GUT GR 24H M32 A1	32	76.344.6435.1	1
2 cable glands, 2 x M40				
without cover				
with threaded collar	BAS GUT GL 24H M40 A1	40	76.338.6435.1	1
1 cable gland, left, 1 x M32				
without cover				
with cable gland, IP54, $\rightarrow \text{Ø} \leftarrow 15 - 26.5 \text{ mm}$	BAS GUT GM 24H M32 A0	32	76.335.6435.0	1
with threaded collar	BAS GUT GM 24H M32 A1	32	76.335.6435.1	1
with cover				
with cable gland, IP54, $\rightarrow \text{Ø} \leftarrow 15 - 26.5 \text{ mm}$	BAS GUT GS 24H M32 A0	32	76.345.6435.0	1
with threaded collar	BAS GUT GS 24H M32 A1	32	76.345.6435.1	1
1 cable gland, left, 1 x M40				
without cover				
with threaded collar	BAS GUT GM 24H M40 A0	40	76.339.6435.1	1
1 cable gland, right, 1 x M32				
with cover				
with cable gland, IP54, $\rightarrow \text{Ø} \leftarrow 15 - 26.5 \text{ mm}$	BAS GUT GT 24H M32 A0	32	76.346.6435.0	1
with threaded collar	BAS GUT GT 24H M32 A1	32	76.346.6435.1	1
1 cable gland, bottom, 1 x M32				
without cover				
with cable gland, IP54, $\rightarrow \text{Ø} \leftarrow 15 - 26.5 \text{ mm}$	BAS GUT GO 24H M32 A0	32	76.337.6435.0	1
with threaded collar	BAS GUT GO 24H M32 A1	32	76.337.6435.1	1
with cover				
with cable gland, IP54, $\rightarrow \text{Ø} \leftarrow 15 - 26.5 \text{ mm}$	BAS GUT GU 24H M32 A0	32	76.347.6435.0	1
with threaded collar	BAS GUT GU 24H M32 A1	32	76.347.6435.1	1
Technical data				
Material	Die cast aluminum alloy			
Surface	powder coated			
Locking levers	Handle: Polyamide, UL94-V0; stainless steel: V2A			
Gasket	NBR			
Degree of protection				
with latched locking levers	IP54			
with appropriate cable glands	IP65			
Temperature range	-40 ... +120 °C			
Description	Type	M	Part No.	P.U.
Accessories				
Cable gland IP68, plastic material, gray	Connection range 7 – 16 mm	25	Z5.507.1553.0	10
Cable gland IP68, nickel-plated brass	Connection range 11 – 18 mm	25	Z5.507.1521.0	10
Cable gland IP68, plastic material, gray	Connection range 10 – 21 mm	32	Z5.507.1753.0	10
Cable gland IP68, nickel-plated brass	Connection range 15 – 21 mm	32	Z5.507.1721.0	10
Cable gland IP68, plastic material, gray	Connection range 16 – 28 mm	40	Z5.507.1953.0	1
Cable gland IP68, nickel-plated brass	Connection range 19 – 27 mm	40	Z5.507.1921.0	1
Contact inserts				
See the product matrix			Page 24–25	

All Bases with "cable gland bottom" on this page are also available in M40 design.
Part numbers available on request.

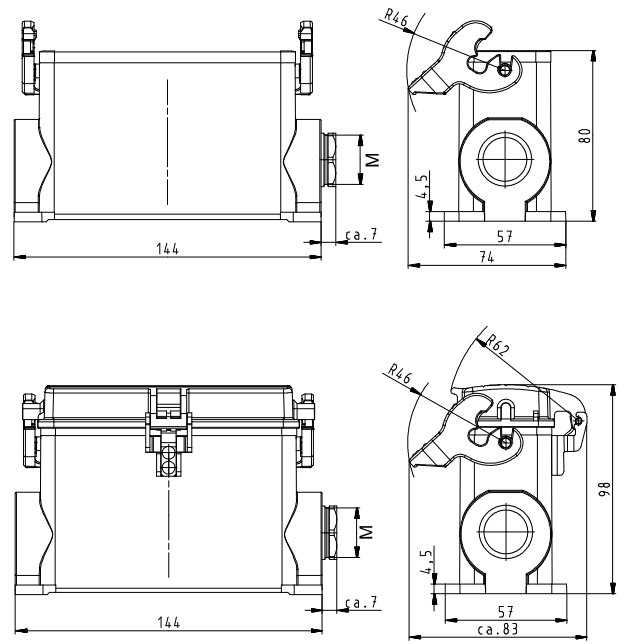
Dimensions

Bases

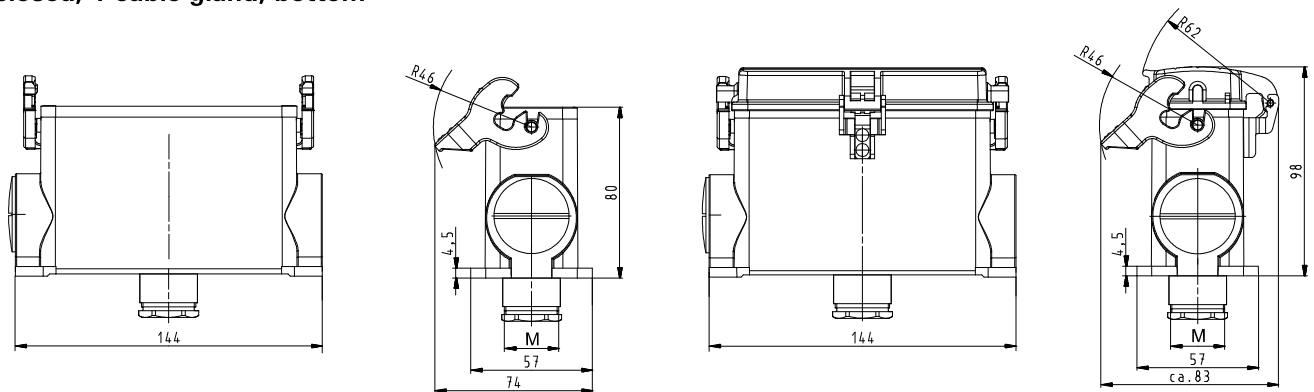
closed, 2 cable glands



closed, 1 cable gland



closed, 1 cable gland, bottom



Hoods, double locking lever

Size 24

Hoods Size 24



Lateral cable entry



Top cable entry

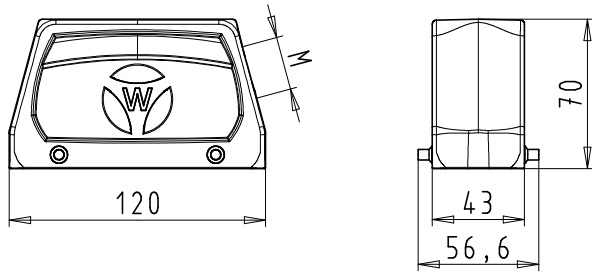


Description	Type	M	Part No.	P.U.
Hoods, size 24		Aluminum housing		
Lateral cable entry M25				
with cable gland, IP54, $\rightarrow \text{Ø} \leftarrow$ 7.5 – 19 mm	BAS GOT GA 24 M25 A0	25	70.350.2435.0	1
with threaded collar	BAS GOT GA 24 M25 A1	25	70.350.2435.1	1
Lateral cable entry M32				
with cable gland, IP54, $\rightarrow \text{Ø} \leftarrow$ 15 – 26.5 mm	BAS GOT GA 24 M32 A0	32	70.353.2435.0	1
with threaded collar	BAS GOT GA 24 M32 A1	32	70.353.2435.1	1
Top cable entry M25				
with cable gland, IP54, $\rightarrow \text{Ø} \leftarrow$ 7.5 – 19 mm	BAS GOT GC 24 M25 A0	25	70.352.2435.0	1
with threaded collar	BAS GOT GC 24 M25 A1	25	70.352.2435.1	1
Top cable entry M32				
with cable gland, IP54, $\rightarrow \text{Ø} \leftarrow$ 15 – 26.5 mm	BAS GOT GC 24 M32 A0	32	70.354.2435.0	1
with threaded collar	BAS GOT GC 24 M32 A1	32	70.354.2435.1	1
Technical data				
Material	Die cast aluminum alloy			
Surface	powder coated			
Locking levers	-			
Gasket	-			
Degree of protection				
with latched locking levers	IP54			
with appropriate cable glands	IP65			
Temperature range	-40 ... +120 °C			
Description	Type	M	Part No.	P.U.
Accessories				
Cable gland IP68, plastic material, gray	Connection range 7 – 16 mm	25	Z5.507.1553.0	10
Cable gland IP68, nickel-plated brass	Connection range 11 – 18 mm	25	Z5.507.1521.0	10
Cable gland IP68, plastic material, gray	Connection range 10 – 21 mm	32	Z5.507.1753.0	10
Cable gland IP68, nickel-plated brass	Connection range 15 – 21 mm	32	Z5.507.1721.0	10
Strain relief IP54, nickel-plated brass	Connection range 14 – 20 mm	25	Z5.507.9721.0	10
Strain relief IP54, nickel-plated brass	Connection range 19 – 29 mm	32	Z5.507.9821.0	10
Contact inserts				
See the product matrix			Page 24–25	

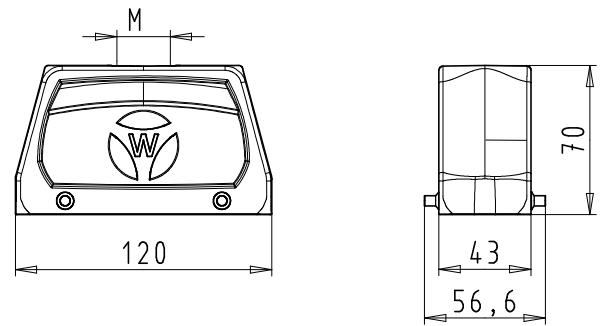
Dimensions

Hoods

Lateral cable entry



Top cable entry



Hoods, double locking lever with Locking levers, Size 24

Hoods Size 24



Lateral cable entry



Top cable entry



Multipole connectors for cable-to-cable couplings

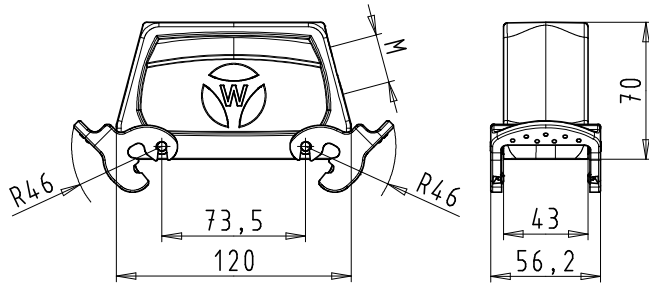


Description	Type	M	Part No.	P.U.
Hoods, size 24				
Aluminum housing				
Lateral cable entry M25				
with cable gland, IP54, $\rightarrow \text{Ø} \leftarrow 7.5 - 19 \text{ mm}$	BAS GOT GD 24 M25 A0	25	70.355.2435.0	1
with threaded collar	BAS GOT GD 24 M25 A1	25	70.355.2435.1	1
Lateral cable entry M32				
with cable gland, IP54, $\rightarrow \text{Ø} \leftarrow 15 - 26.5 \text{ mm}$	BAS GOT GD 24 M32 A0	32	70.358.2435.0	1
with threaded collar	BAS GOT GD 24 M32 A1	32	70.358.2435.1	1
Top cable entry M25				
with cable gland, IP54, $\rightarrow \text{Ø} \leftarrow 7.5 - 19 \text{ mm}$	BAS GOT GF 24 M25 A0	25	70.357.2435.0	1
with threaded collar	BAS GOT GF 24 M25 A1	25	70.357.2435.1	1
Top cable entry M32				
with cable gland, IP54, $\rightarrow \text{Ø} \leftarrow 15 - 26.5 \text{ mm}$	BAS GOT GF 24 M32 A0	32	70.359.2435.0	1
with threaded collar	BAS GOT GF 24 M32 A1	32	70.359.2435.1	1
Multipole connectors for cable-to-cable couplings M32				
with cable gland, IP54, $\rightarrow \text{Ø} \leftarrow 15 - 26.5 \text{ mm}$	BAS GOT GC 24 M32 A0	32	70.354.2435.0	1
with cable gland, IP54, $\rightarrow \text{Ø} \leftarrow 15 - 26.5 \text{ mm}$ Locking levers and gasket	BAS GOT GK 24 M32 A0	32	70.374.2435.0	1
with threaded collar	BAS GOT GC 24 M32 A1	32	70.354.2435.1	1
with threaded collar Locking levers and gasket	BAS GOT GK 24 M32 A1	32	70.374.2435.1	1
Technical data				
Material	Die cast aluminum alloy			
Surface	powder coated			
Locking levers	Handle: Polyamide, UL94-V0; stainless steel: V2A			
Gasket for Multipole connectors	NBR			
Degree of protection				
with latched locking levers	IP54			
with appropriate cable glands	IP65			
Temperature range	-40 ... +120 °C			
Description	Type	M	Part No.	P.U.
Accessories				
Cable gland IP68, plastic material, gray	Connection range 7 – 16 mm	25	Z5.507.1553.0	10
Cable gland IP68, nickel-plated brass	Connection range 11 – 18 mm	25	Z5.507.1521.0	10
Cable gland IP68, plastic material, gray	Connection range 10 – 21 mm	32	Z5.507.1753.0	10
Cable gland IP68, nickel-plated brass	Connection range 15 – 21 mm	32	Z5.507.1721.0	10
Strain relief IP54, nickel-plated brass	Connection range 14 – 20 mm	25	Z5.507.9721.0	10
Strain relief IP54, nickel-plated brass	Connection range 19 – 29 mm	32	Z5.507.9821.0	10
Contact inserts				
See the product matrix			Page 24–25	

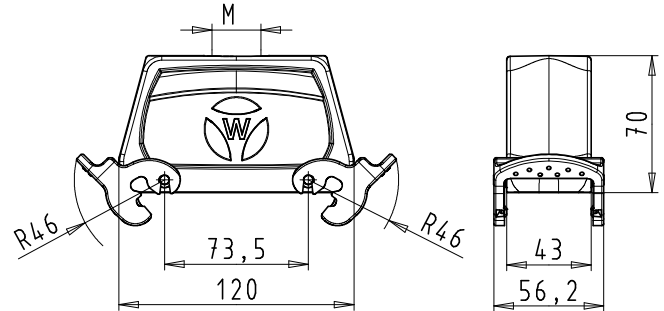
Dimensions

Hoods with Locking levers

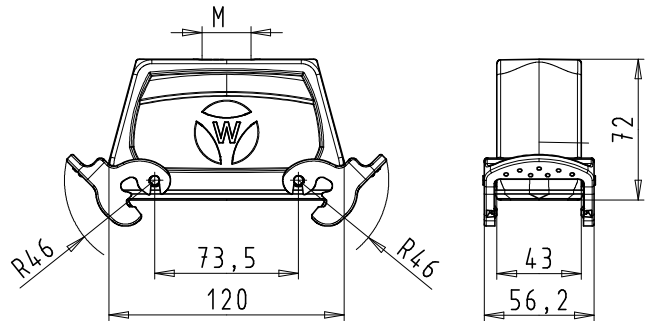
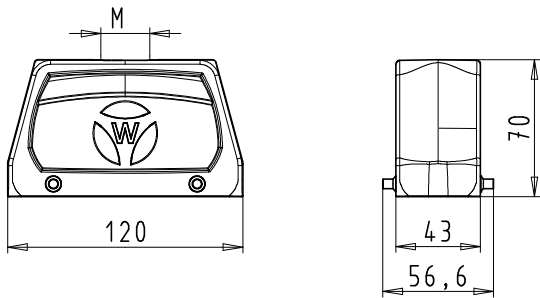
Lateral cable entry



Top cable entry



Multipole connectors for cable-to-cable couplings



Hoods, double locking lever Size 24H, increased height design

Hoods Size 24H, increased height design

Lateral cable entry



Top cable entry



Multipole connectors for cable-to-cable couplings

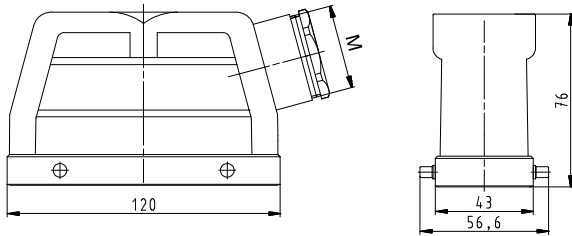


Hoods, size 24H		Aluminum housing			
Lateral cable entry M25					
with cable gland, IP54, $\rightarrow \text{Ø} \leftarrow$ 7.5 – 19 mm	BAS GOT GA 24H M25 A0	25	73.350.6435.0	1	
with threaded collar	BAS GOT GA 24H M25 A1	25	73.350.6435.1	1	
Lateral cable entry M32					
with cable gland, IP54, $\rightarrow \text{Ø} \leftarrow$ 15 – 26.5 mm	BAS GOT GA 24H M32 A0	32	73.353.6435.0	1	
with threaded collar	BAS GOT GA 24H M32 A1	32	73.353.6435.1	1	
Lateral cable entry M40					
with cable gland, IP54, $\rightarrow \text{Ø} \leftarrow$ 23 – 32 mm	BAS GOT GA 24H M40 A0	40	73.360.6435.0	1	
with threaded collar	BAS GOT GA 24H M40 A1	40	73.360.6435.1	1	
Top cable entry M25					
with cable gland, IP54, $\rightarrow \text{Ø} \leftarrow$ 7.5 – 19 mm	BAS GOT GC 24H M25 A0	25	73.352.6435.0	1	
with threaded collar	BAS GOT GC 24H M25 A1	25	73.352.6435.1	1	
Top cable entry M32					
with cable gland, IP54, $\rightarrow \text{Ø} \leftarrow$ 15 – 26.5 mm	BAS GOT GC 24H M32 A0	32	73.354.6435.0	1	
with threaded collar	BAS GOT GC 24H M32 A1	32	73.354.6435.1	1	
Top cable entry M40					
with cable gland, IP54, $\rightarrow \text{Ø} \leftarrow$ 23 – 32 mm	BAS GOT GC 24H M40 A0	40	73.362.6435.0	1	
with threaded collar	BAS GOT GC 24H M40 A1	40	73.362.6435.1	1	
Multipole connectors for cable-to-cable couplings M32					
with threaded collar, locking levers and gasket	BAS GOT GK 24H M32 A1	32	73.374.6435.1	1	
Multipole connectors for cable-to-cable couplings M40					
with threaded collar, locking levers and gasket	BAS GOT GK 24H M40 A1	40	73.378.6435.1	1	
Technical data					
Material	Die cast aluminum alloy				
Surface	powder coated				
Locking levers	-				
Gasket	-				
Degree of protection					
with latched locking levers	IP54				
with appropriate cable glands	IP65				
Temperature range	-40 ... +120 °C				
Description	Type	M	Part No.	P.U.	
Accessories					
Cable gland IP68, plastic material, gray	Connection range 7 – 16 mm	25	Z5.507.1553.0	10	
Cable gland IP68, nickel-plated brass	Connection range 11 – 18 mm	25	Z5.507.1521.0	10	
Cable gland IP68, plastic material, gray	Connection range 10 – 21 mm	32	Z5.507.1753.0	10	
Cable gland IP68, nickel-plated brass	Connection range 15 – 21 mm	32	Z5.507.1721.0	10	
Cable gland IP68, plastic material, gray	Connection range 16 – 28 mm	40	Z5.507.1953.0	1	
Cable gland IP68, nickel-plated brass	Connection range 19 – 27 mm	40	Z5.507.1921.0	1	
Strain relief IP54, nickel-plated brass	Connection range 14 – 20 mm	25	Z5.507.9721.0	10	
Strain relief IP54, nickel-plated brass	Connection range 19 – 29 mm	32	Z5.507.9821.0	10	
Contact inserts					
See the product matrix			Page 24–25		

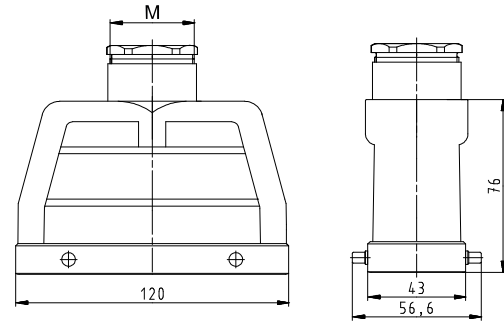
Dimensions

Hoods

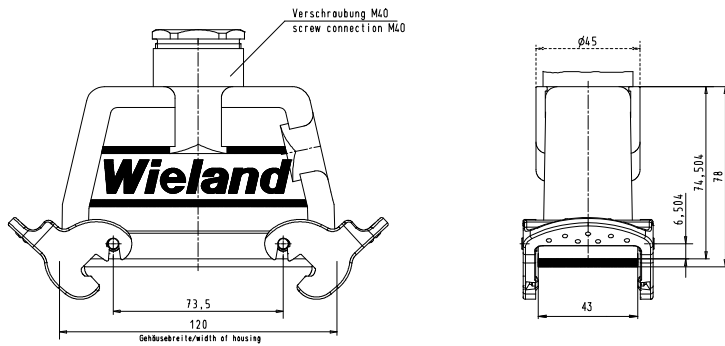
Lateral cable entry



Top cable entry



Multipole connectors for cable-to-cable couplings



Hoods, double locking lever with Locking levers, Size 24H, increased height design

Hoods Size 24H, increased height design

Lateral cable entry



Top cable entry

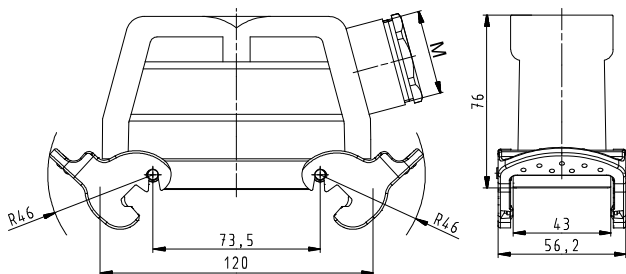


Description	Type	M	Part No.	P.U.
Hoods, size 24H				
Aluminum housing				
Lateral cable entry M25				
with cable gland, IP54, $\rightarrow \text{Ø} \leftarrow 7.5 - 19 \text{ mm}$	BAS GOT GD 24H M25 A0	25	73.355.6435.0	1
with threaded collar	BAS GOT GD 24H M25 A1	25	73.355.6435.1	1
Lateral cable entry M32				
with cable gland, IP54, $\rightarrow \text{Ø} \leftarrow 15 - 26.5 \text{ mm}$	BAS GOT GD 24H M32 A0	32	73.358.6435.0	1
with threaded collar	BAS GOT GD 24H M32 A1	32	73.358.6435.1	1
Lateral cable entry M40				
with threaded collar	BAS GOT GD 24H M40 A1	40	73.365.6435.1	1
Top cable entry M25				
with cable gland, IP54, $\rightarrow \text{Ø} \leftarrow 7.5 - 19 \text{ mm}$	BAS GOT GF 24H M25 A0	25	73.357.6435.0	1
with threaded collar	BAS GOT GF 24H M25 A1	25	73.357.6435.1	1
Top cable entry M32				
with cable gland, IP54, $\rightarrow \text{Ø} \leftarrow 15 - 26.5 \text{ mm}$	BAS GOT GF 24H M32 A0	32	73.359.6435.0	1
with threaded collar	BAS GOT GF 24H M32 A1	32	73.359.6435.1	1
Top cable entry M40				
with threaded collar	BAS GOT GF 24H M40 A1	40	73.367.6435.0	1
Technical data				
Material	Die cast aluminum alloy			
Surface	powder coated			
Locking levers	Handle: Polyamide, UL94-V0; stainless steel: V2A			
Gasket	-			
Degree of protection				
with latched locking levers	IP54			
with appropriate cable glands	IP65			
Temperature range	-40 ... +120 °C			
Description	Type	M	Part No.	P.U.
Accessories				
Cable gland IP68, plastic material, gray	Connection range 7 – 16 mm	25	Z5.507.1553.0	10
Cable gland IP68, nickel-plated brass	Connection range 11 – 18 mm	25	Z5.507.1521.0	10
Cable gland IP68, plastic material, gray	Connection range 10 – 21 mm	32	Z5.507.1753.0	10
Cable gland IP68, nickel-plated brass	Connection range 15 – 21 mm	32	Z5.507.1721.0	10
Cable gland IP68, plastic material, gray	Connection range 16 – 28 mm	40	Z5.507.1953.0	1
Cable gland IP68, nickel-plated brass	Connection range 19 – 27 mm	40	Z5.507.1921.0	1
Strain relief IP54, nickel-plated brass	Connection range 14 – 20 mm	25	Z5.507.9721.0	10
Strain relief IP54, nickel-plated brass	Connection range 19 – 29 mm	32	Z5.507.9821.0	10
Contact inserts			Page 24–25	
See the product matrix				

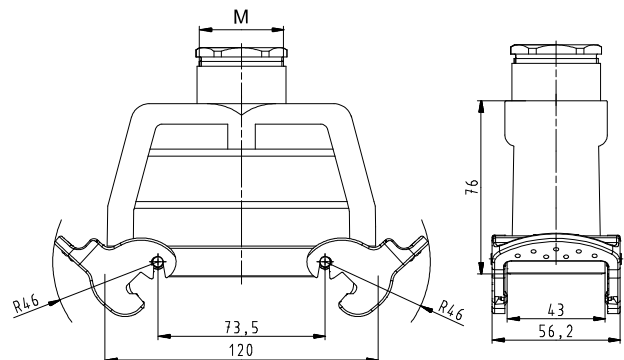
Dimensions

Hoods

Lateral cable entry



Top cable entry



Hoods, double locking lever Size 24XL

Hoods Size 24XL

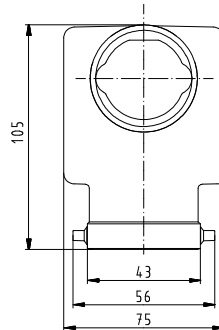
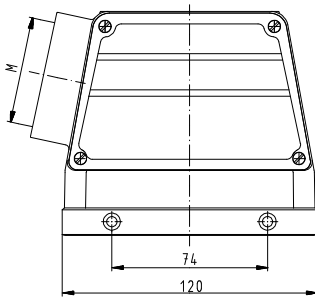
Lateral cable entry



Description	Type	M	Part No.	P.U.
Hoods, size 24XL	Aluminum housing			
Lateral cable entry M50				
with intermediate support	POW GOT GA24 M50 69 A2	50	72.250.2435.2	1
Technical data				
Material	Die cast aluminum alloy			
Surface	powder coated			
Locking levers	-			
Gasket	-			
Degree of protection				
with latched locking levers	-			
with appropriate cable glands	IP65			
Temperature range	-40 ... +120 °C			
Contact inserts				
See the product matrix				Page 24–25

Dimensions

Lateral cable entry



Bases, double locking lever Size 24

Bases, Size 24



open

without cover
with cover



closed

1 cable gland, lateral
cable entry

without cover
with cover



closed

1 cable gland, bottom

without cover
with cover



Bases, size 24		Aluminum housing			
Open-bottom base					
without cover	BAS GUT GA 24 A		70.320.2428.0	1	
with cover	BAS GUT GE 24 A		70.325.2428.0	1	
Closed-bottom base					
2 cable glands, 2 x M25					
without cover					
with cable gland, IP54, $\rightarrow \text{Ø} \leftarrow 7.5 - 19 \text{ mm}$	BAS GUT GB 24 M25 A0	25	70.330.2435.0	1	
with threaded collar	BAS GUT GB 24 M25 A1	25	70.330.2435.1	1	
with cover					
with cable gland, IP54, $\rightarrow \text{Ø} \leftarrow 7.5 - 19 \text{ mm}$	BAS GUT GF 24 M25 A0	25	70.340.2435.0	1	
with threaded collar	BAS GUT GF 24 M25 A1	25	70.340.2435.1	1	
1 cable gland, left, 1 x M25					
without cover					
with cable gland, IP54, $\rightarrow \text{Ø} \leftarrow 7.5 - 19 \text{ mm}$	BAS GUT GC 24 M25 A0	25	70.331.2435.0	1	
with threaded collar	BAS GUT GC 24 M25 A1	25	70.331.2435.1	1	
with cover					
with cable gland, IP54, $\rightarrow \text{Ø} \leftarrow 7.5 - 19 \text{ mm}$	BAS GUT GG 24 M25 A0	25	70.341.2435.0	1	
with threaded collar	BAS GUT GG 24 M25 A1	25	70.341.2435.1	1	
1 cable gland, right, 1 x M25					
with cover					
with cable gland, IP54, $\rightarrow \text{Ø} \leftarrow 7.5 - 19 \text{ mm}$	BAS GUT GH 24 M25 A0	25	70.342.2435.0	1	
with threaded collar	BAS GUT GH 24 M25 A1	25	70.342.2435.1	1	
1 cable gland, bottom, 1 x M25					
without cover					
with cable gland, IP54, $\rightarrow \text{Ø} \leftarrow 7.5 - 19 \text{ mm}$	BAS GUT GD 24 M25 A0	25	70.333.2435.0	1	
with threaded collar	BAS GUT GD 24 M25 A1	25	70.333.2435.1	1	
with cover					
with cable gland, IP54, $\rightarrow \text{Ø} \leftarrow 7.5 - 19 \text{ mm}$	BAS GUT GI 24 M25 A0	25	70.343.2435.0	1	
with threaded collar	BAS GUT GI 24 M25 A1	25	70.343.2435.1	1	

Technical data	
Material	Die cast aluminum alloy
Surface	powder coated
Locking levers	Handle: Polyamide, UL94-V0; stainless steel: V2A
Gasket	NBR
Degree of protection	
with latched locking levers	IP54
with appropriate cable glands	IP65
Temperature range	-40 ... +120 °C

Description	Type	M	Part No.	P.U.
-------------	------	---	----------	------

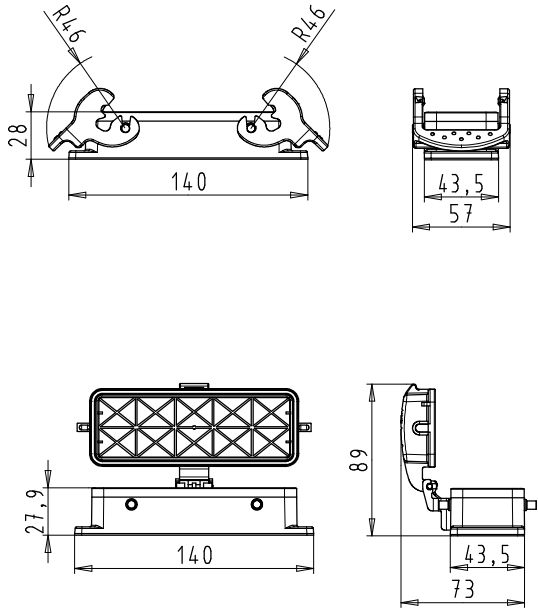
Accessories				
Cable gland IP68, plastic material, gray	Connection range 7 – 16 mm	25	Z5.507.1553.0	10
Cable gland IP68, nickel-plated brass	Connection range 11 – 18 mm	25	Z5.507.1521.0	10

Contact inserts	
See the product matrix	Page 24–25

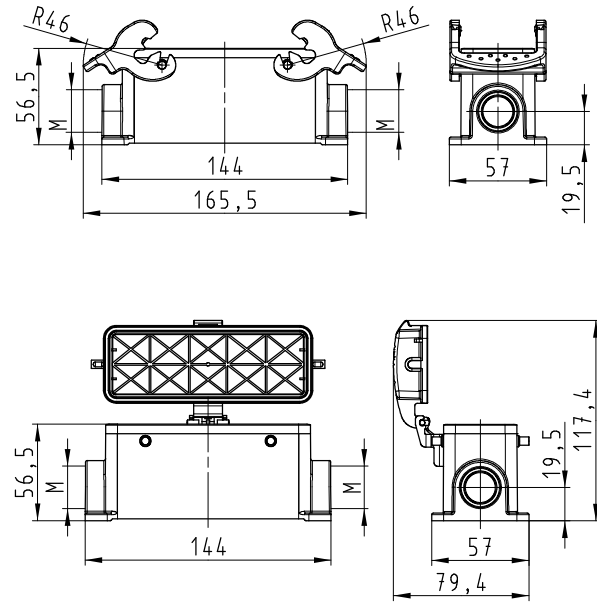
Dimensions

Bases

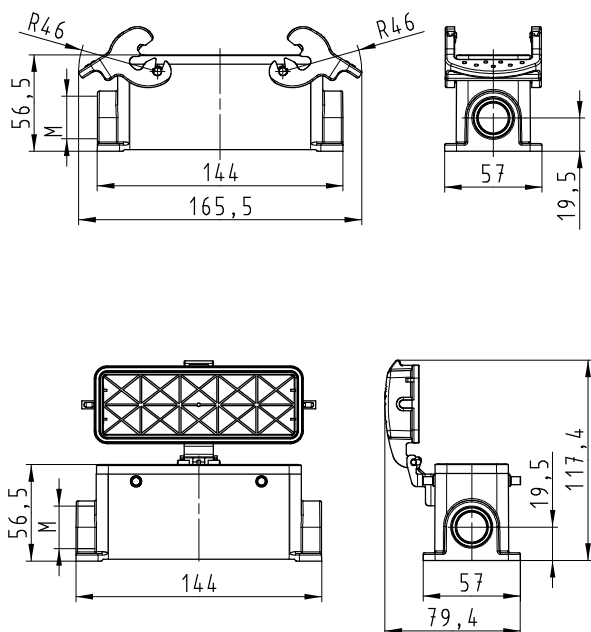
open



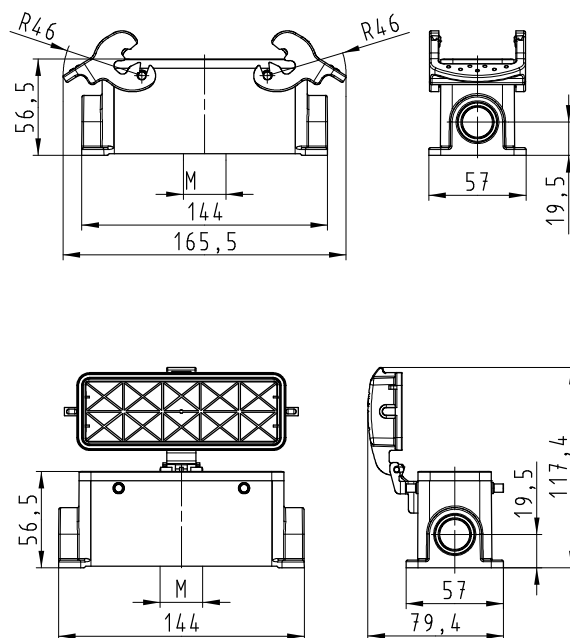
closed, 2 cable glands



closed, 1 cable gland, lateral cable entry



closed, 1 cable gland, bottom



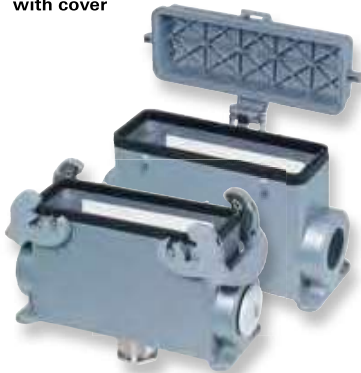
Bases, double locking lever Size 24H, increased height design

Bases Size 24H, increased height design

closed
2 cable glands
without cover
with cover



closed
1 cable gland, bottom
without cover
with cover



Description	Type	M	Part No.	P.U.
Bases, size 24H	Aluminum housing			
Closed-bottom base				
2 cable glands, 2 x M32				
without cover				
with cable gland, IP54, $\rightarrow \text{Ø} \leftarrow$ 15 – 26.5 mm	BAS GUT GB 24H M32 A0	32	73.334.6435.0	1
with threaded collar	BAS GUT GB 24H M32 A1	32	73.334.6435.1	1
with cover				
with cable gland, IP54, $\rightarrow \text{Ø} \leftarrow$ 15 – 26.5 mm	BAS GUT GF 24H M32 A0	32	73.344.6435.0	1
with threaded collar	BAS GUT GF 24H M32 A1	32	73.344.6435.1	1
2 cable glands, 2 x M40				
without cover				
with threaded collar	BAS GUT GB 24H M40 A1	40	73.338.6435.1	1
1 cable gland, left, 1 x M32				
without cover				
with cable gland, IP54, $\rightarrow \text{Ø} \leftarrow$ 15 – 26.5 mm	BAS GUT GC 24H M32 A0	32	73.335.6435.0	1
with threaded collar	BAS GUT GC 24H M32 A1	32	73.335.6435.1	1
with cover				
with cable gland, IP54, $\rightarrow \text{Ø} \leftarrow$ 15 – 26.5 mm	BAS GUT GG 24H M32 A0	32	73.345.6435.0	1
with threaded collar	BAS GUT GG 24H M32 A1	32	73.345.6435.1	1
1 cable gland, left, 1 x M40				
without cover				
with threaded collar	BAS GUT GC 24H M40 A1	40	73.339.6435.1	1
1 cable gland, right, 1 x M32				
with cover				
with cable gland, IP54, $\rightarrow \text{Ø} \leftarrow$ 15 – 26.5 mm	BAS GUT GH 24H M32 A0	32	73.346.6435.0	1
with threaded collar	BAS GUT GH 24H M32 A1	32	73.346.6435.1	1
1 cable gland, bottom, 1 x M32				
without cover				
with cable gland, IP54, $\rightarrow \text{Ø} \leftarrow$ 15 – 26.5 mm	BAS GUT GD 24H M32 A0	32	73.337.6435.0	1
with threaded collar	BAS GUT GD 24H M32 A1	32	73.337.6435.1	1
with cover				
with cable gland, IP54, $\rightarrow \text{Ø} \leftarrow$ 15 – 26.5 mm	BAS GUT GI 24H M32 A0	32	73.347.6435.0	1
with threaded collar	BAS GUT GI 24H M32 A1	32	73.347.6435.1	1

Technical data	
Material	Die cast aluminum alloy
Surface	powder coated
Locking levers	Handle: Polyamide, UL94-V0; stainless steel: V2A
Gasket	NBR
Degree of protection	
with latched locking levers	IP54
with appropriate cable glands	IP65
Temperature range	-40 ... +120 °C

Description	Type	M	Part No.	P.U.
Accessories				
Cable gland IP68, plastic material, gray	Connection range 7 – 16 mm	25	Z5.507.1553.0	10
Cable gland IP68, nickel-plated brass	Connection range 11 – 18 mm	25	Z5.507.1521.0	10
Cable gland IP68, plastic material, gray	Connection range 10 – 21 mm	32	Z5.507.1753.0	10
Cable gland IP68, nickel-plated brass	Connection range 15 – 21 mm	32	Z5.507.1721.0	10
Cable gland IP68, plastic material, gray	Connection range 16 – 28 mm	40	Z5.507.1953.0	1
Cable gland IP68, nickel-plated brass	Connection range 19 – 27 mm	40	Z5.507.1921.0	1

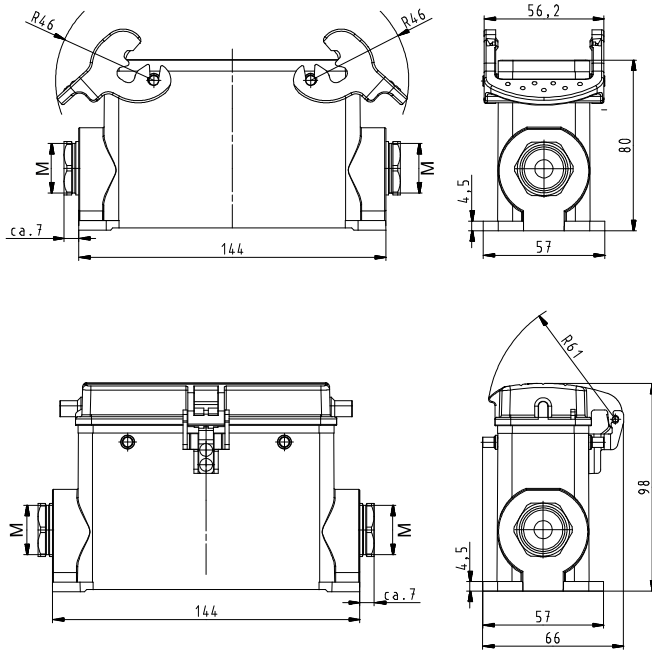
Contact inserts
See the product matrix Page 24–25

All Bases with "cable gland bottom" on this page are also available in M40 design.
Part numbers available on request.

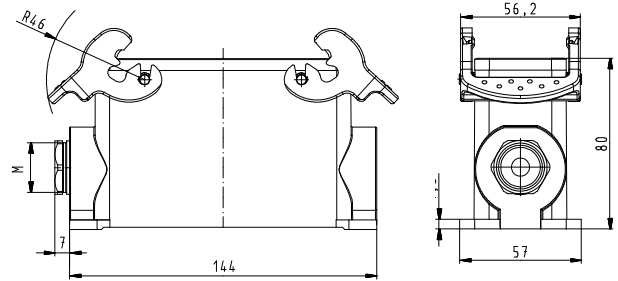
Dimensions

Bases

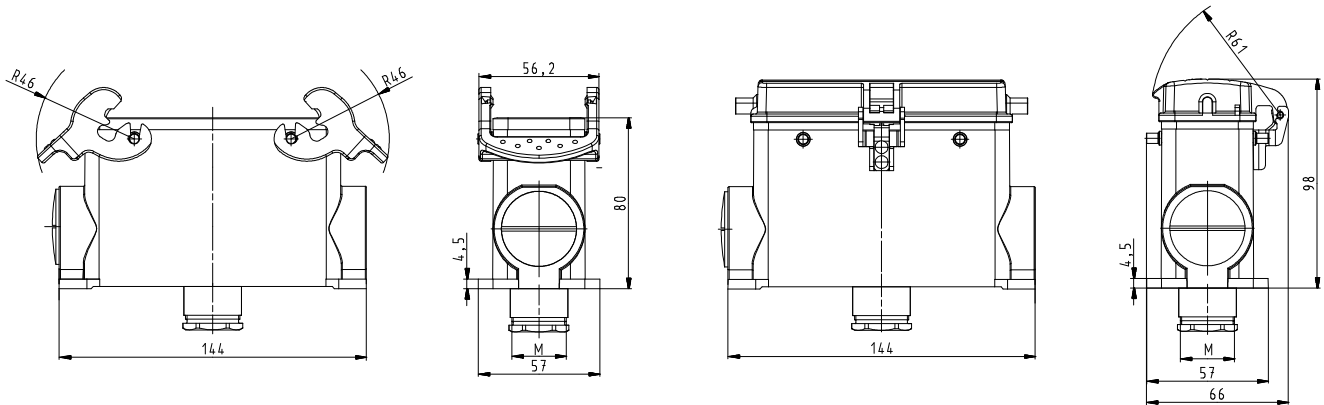
closed, 2 cable glands



closed, 1 cable gland



closed, 1 cable gland, bottom



Hoods, double locking lever Size 32

Hoods, Size 32



Lateral cable entry



Top cable entry

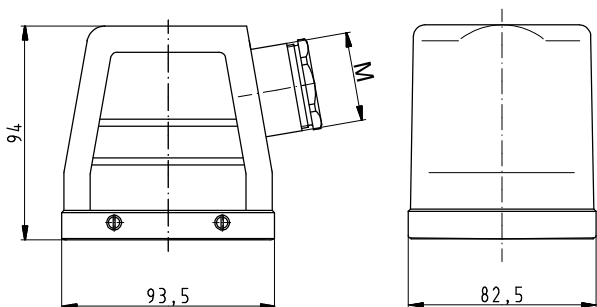


Description	Type	M	Part No.	P.U.
Hoods, size 32	Aluminum housing			
Lateral cable entry M32				
with cable gland, IP54, $\rightarrow \text{Ø} \leftarrow 15 - 26,5 \text{ mm}$	BAS GOT GA 32 M32 A0	32	70.350.3235.0	1
with threaded collar	BAS GOT GA 32 M32 A1	32	70.350.3235.1	1
Lateral cable entry M40				
with threaded collar	BAS GOT GA 32 M40 A1	40	70.353.3235.1	1
Top cable entry M32				
with cable gland, IP54, $\rightarrow \text{Ø} \leftarrow 15 - 26,5 \text{ mm}$	BAS GOT GC 32 M32 A0	32	70.352.3235.0	1
with threaded collar	BAS GOT GC 32 M32 A1	32	70.352.3235.1	1
Top cable entry M40				
with threaded collar	BAS GOT GC 32 M40 A1	40	70.354.3235.1	1
Technical data				
Material	Die cast aluminum alloy			
Surface	powder coated			
Locking levers	-			
Gasket	-			
Degree of protection				
with latched locking levers	IP54			
with appropriate cable glands	IP65			
Temperature range	-40 ... +120 °C			
Description	Type	M	Part No.	P.U.
Accessories				
Cable gland IP68, plastic material, gray	Connection range 10 – 21 mm	32	Z5.507.1753.0	10
Cable gland IP68, nickel-plated brass	Connection range 15 – 21 mm	32	Z5.507.1721.0	10
Cable gland IP68, plastic material, gray	Connection range 16 – 28 mm	40	Z5.507.1953.0	1
Cable gland IP68, nickel-plated brass	Connection range 19 – 27 mm	40	Z5.507.1921.0	1
Contact inserts				
See the product matrix			Page 24–25	

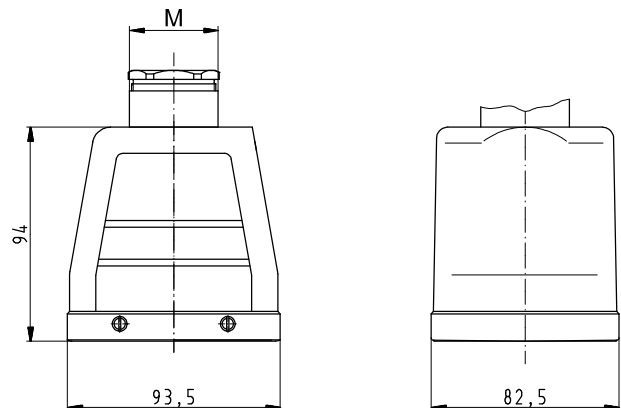
Dimensions

Hoods



Lateral cable entry



Top cable entry

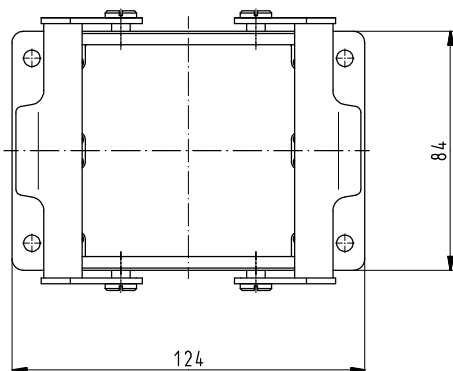
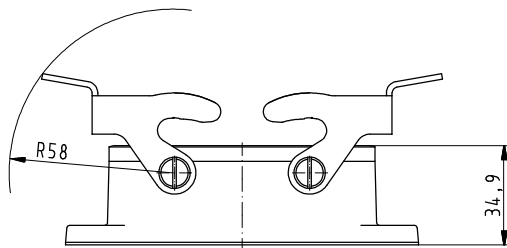


Bases, double locking lever Size 32

Bases, Size 32	Description	Type	M	Part No.	P.U.
	  open	Base, size 32	Aluminum housing		
open without cover		BAS GUT GA 32 A	32	70.320.3228.0	1
Technical data					
Material		Die cast aluminum alloy			
Surface		powder coated			
Locking levers		zinc-plated steel			
Gasket		NBR			
Degree of protection					
with latched locking levers		IP54			
with appropriate cable glands		IP65			
Temperature range		-40 ... +120 °C			
Contact inserts					
See the product matrix				Page 24–25	

Dimensions

Bases
open



500 V / 690 V Hoods, single locking lever Size 48

Hoods, Size 48



Lateral cable entry



Top cable entry

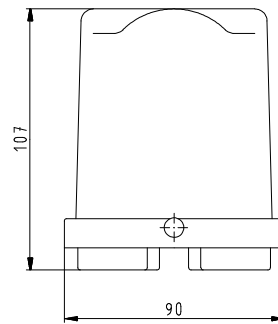
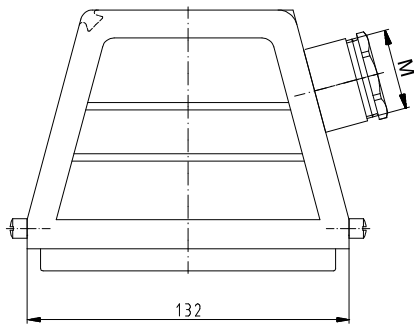


Description	Type	M	Part No.	P.U.
500 V / 690 V Hoods, size 48				
Aluminum housing				
Lateral cable entry M32				
with cable gland, IP54, $\rightarrow \text{Ø} \leftarrow$ 15 – 26,5 mm	BAS GOT GG 48 M32 A0	32	70.350.4835.0	1
with threaded collar	BAS GOT GG 48 M32 A1	32	70.350.4835.1	1
Lateral cable entry M40				
with threaded collar	BAS GOT GG 48 M40 A1	40	70.353.4835.1	1
Top cable entry M32				
with cable gland, IP54, $\rightarrow \text{Ø} \leftarrow$ 15 – 26,5 mm	BAS GOT GI 48 M32 A0	32	70.352.4835.0	1
with threaded collar	BAS GOT GI 48 M32 A1	32	70.352.4835.1	1
Top cable entry M40				
with threaded collar	BAS GOT GI 48 M40 A1	40	70.354.4835.1	1
Technical data				
Material	Die cast aluminum alloy			
Surface	powder coated			
Locking levers	–			
Gasket	–			
Degree of protection				
with latched locking levers	IP54			
with appropriate cable glands	IP65			
Temperature range	-40 ... +120 °C			
Description	Type	M	Part No.	P.U.
Accessories				
Cable gland IP68, plastic material, gray	Connection range 10 – 21 mm	32	Z5.507.1753.0	10
Cable gland IP68, nickel-plated brass	Connection range 15 – 21 mm	32	Z5.507.1721.0	10
Cable gland IP68, plastic material, gray	Connection range 16 – 28 mm	40	Z5.507.1953.0	1
Cable gland IP68, nickel-plated brass	Connection range 19 – 27 mm	40	Z5.507.1921.0	1
Contact inserts				
See the product matrix			Page 24–25	

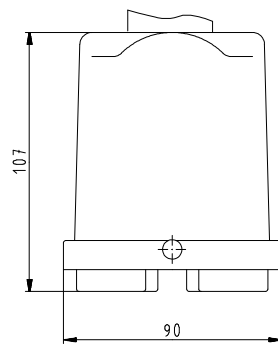
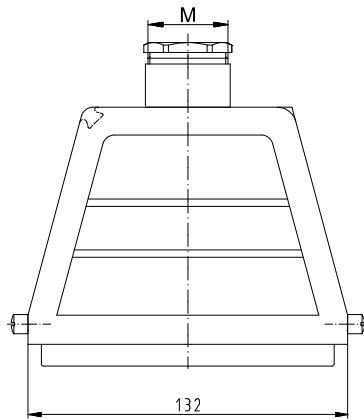
Dimensions

Hoods

Lateral cable entry



Top cable entry



500 / 690 V Bases, single locking lever Size 48

500 / 690 V Bases, Size 48



open
without cover
with cover



closed
1 cable gland
without cover
with cover

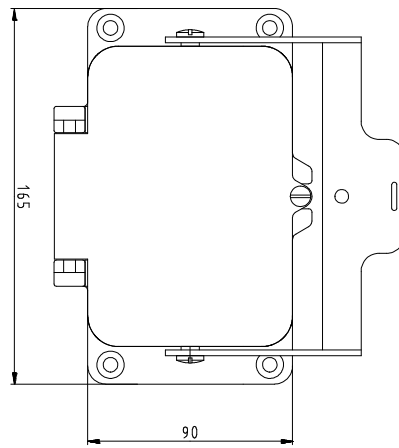
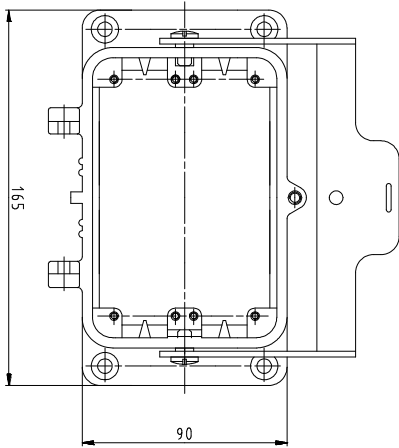
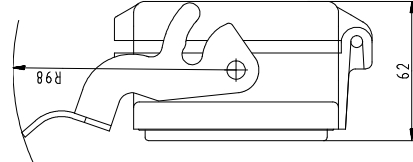
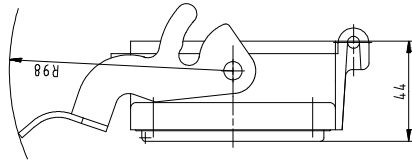


Description	Type	M	Part No.	P.U.
500 / 690 V Bases, size 48				
Aluminum housing				
Open-bottom base				
without cover	BAS GUT GK 48 A		70.320.4828.0	1
with metal cover	BAS GUT GP 48 A		70.325.4828.0	1
Closed-bottom base				
1 cable glands left, 1 x M32				
without cover				
with cable gland, IP54, $\rightarrow \text{Ø} \leftarrow$ 15–26.5 mm	BAS GUT GM 48 M32 A0	32	70.331.4835.0	1
with threaded collar	BAS GUT GM 48 M32 A1	32	70.331.4835.1	1
with strain relief IP54	BAS GUT GM 48 M32 A3	32	70.331.4835.3	1
with metal cover				
with cable gland, IP54, $\rightarrow \text{Ø} \leftarrow$ 15–26.5 mm	BAS GUT GS 48 M32 A0	32	70.341.4835.1	1
with strain relief IP54	BAS GUT GS 48 M32 A3	32	70.341.4835.3	1
1 cable gland, left, 1 x M40				
with metal cover				
with threaded collar	BAS GUT GR 48 M40 A1	40	70.344.4835.1	1
Technical data				
Material	Die cast aluminum alloy			
Surface	powder coated			
Locking levers	zinc-plated steel			
Gasket	NBR			
Degree of protection				
with latched locking levers	IP54			
with appropriate cable glands	IP65			
Temperature range	-40 ... +120 °C			
Description	Type	M	Part No.	P.U.
Accessories				
Cable gland IP68, plastic material, gray	Connection range 10 – 21 mm	32	Z5.507.1753.0	10
Cable gland IP68, nickel-plated brass	Connection range 15 – 21 mm	32	Z5.507.1721.0	10
Cable gland IP68, plastic material, gray	Connection range 16 – 28 mm	40	Z5.507.1953.0	1
Cable gland IP68, nickel-plated brass	Connection range 19 – 27 mm	40	Z5.507.1921.0	1
Contact inserts				
See the product matrix			Page 24–25	

Dimensions

Bases

open



closed, 1 cable gland

