

IG series

Pushbutton switches for joystick application
 • bushing Ø 12 mm • momentary NO



DISTINCTIVE FEATURES

- Last minute snappable plunger
- Strong tactile feedback
- Different voltages for LED backlight



ENVIRONMENTAL SPECIFICATIONS

- Operating and storage temperature: -40 °C to +85 °C (-40 °F to +185 °F)
- Front panel sealing:
 - IP67 according to IEC 60529
 - IP69K according to DIN 40050-9
- Salt spray: IEC60068-2-11 test Ka (96h)



ELECTRICAL SPECIFICATIONS

- Electrical function: Momentary
- Max. current/voltage rating with resistive load:
 - Gold plated contact (0): 50 mA 28 VDC, 1,000,000 cycles
 - Silver contact (1): 2 A 28 VDC, 100,000 cycles
- Dielectrical strength: 1500 Vrms between terminals
- Initial contact resistance: 100 mOhms max
- Insulation resistance: 1 Gohms at 500 VDC



GENERAL SPECIFICATIONS

- Total travel: 2 mm ± 0.4 mm
- Typical operating force: 9 N ± 2N
- Maximum applicable force: 50 N in all axes
- Hand soldering with lead-free alloy solder wire type SAC 305 (flux amount 2,2%): temperature 337-381°C. Standard application time is 3s.
- Mechanical life: 1,000,000 cycles

The company reserves the right to change specifications without notice.



IG series

Pushbutton switches for joystick application
 • bushing Ø 12 mm • momentary NO



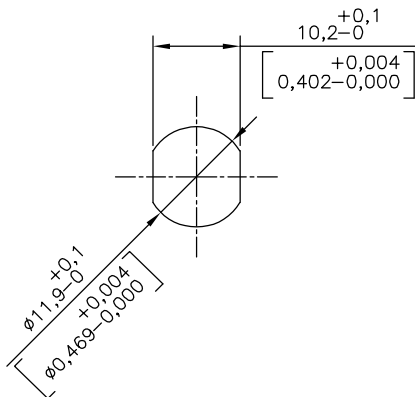
MATERIALS

- Case: Thermoplastic, UL94-V0
- Actuator: ABS UL94-Hb
- Bushing: Thermoplastic
- Membrane: fluorinated silicone, black
- Contacts:
- 0: brass, gold plated
- 1: silver
- Output wires: 15mm long 24AWG for LED version only

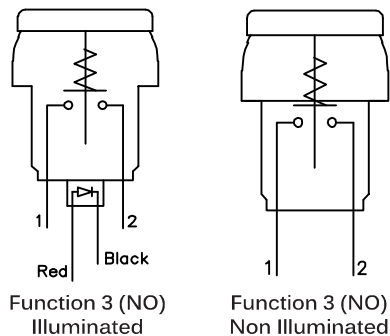


PANEL MOUNTING

- Panel thickness: 1.5 to 5.5 mm
- Torque: 0.55 Nm applied to nut
- Panel cut-out:



ELECTRICAL DIAGRAMS

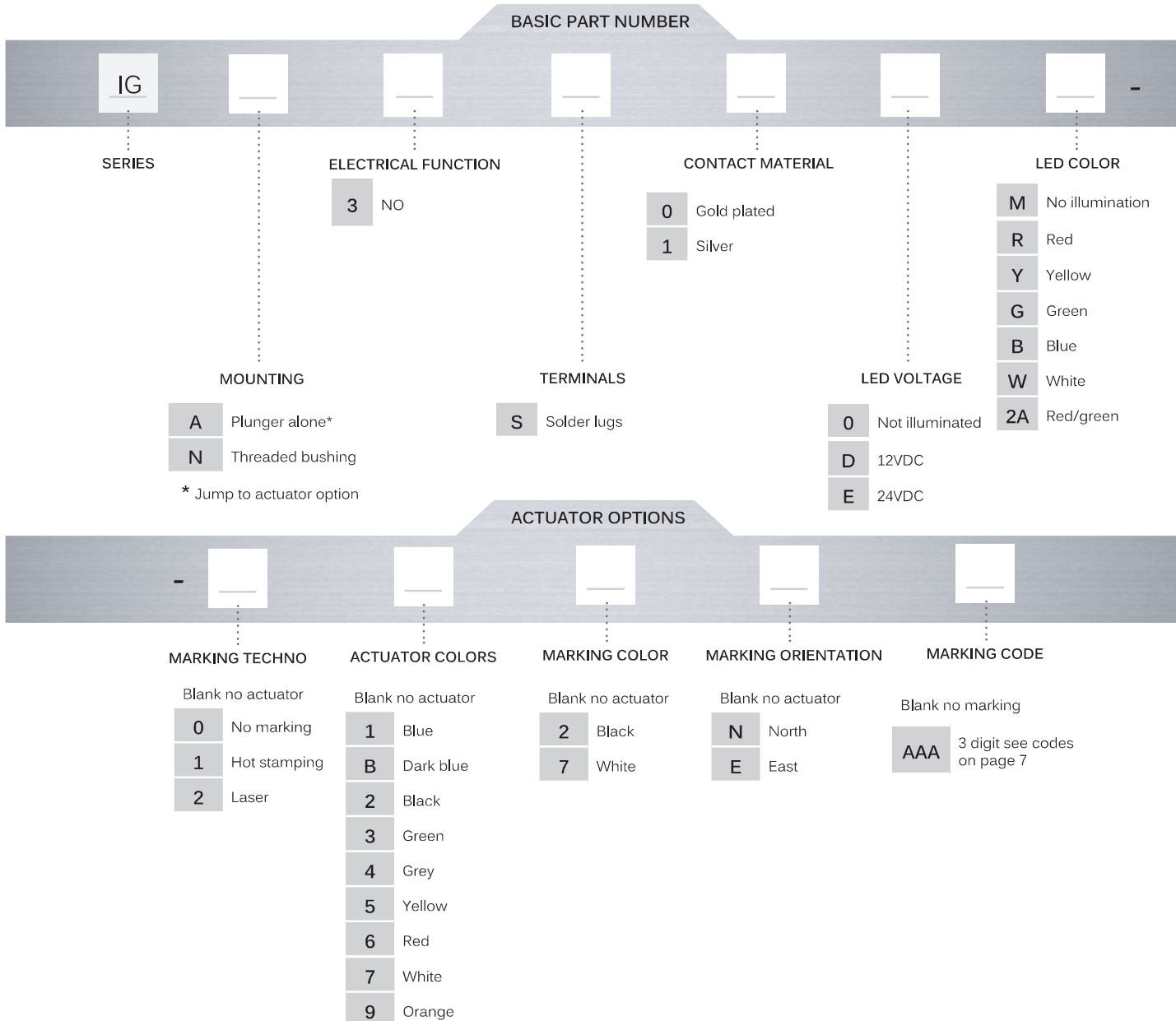


IG series

Pushbutton switches for joystick application
 • bushing Ø 12 mm • momentary NO



BUILD YOUR PART NUMBER



ABOUT THIS SERIES

On the following pages, you will find successively basic part numbers of switches and options in the same order as in above chart.

Mounting accessories: standard hardware supplied : U166 hex nut. Standard and special hardware is presented in the «Hardware» section of website.

IG series

Pushbutton switches for joystick application
 • bushing \varnothing 12 mm • momentary NO

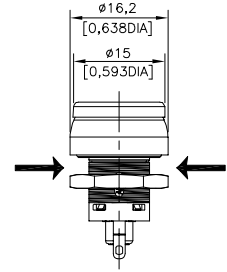
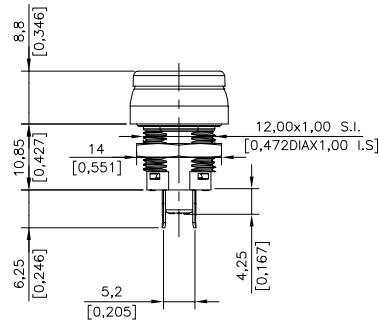
MODELS

SOLDER LUG TERMINALS NON-ILLUMINATED - NO



IGN3S*0M

IGN3S00M-06

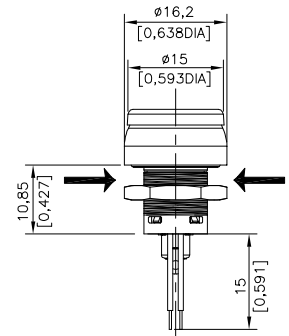
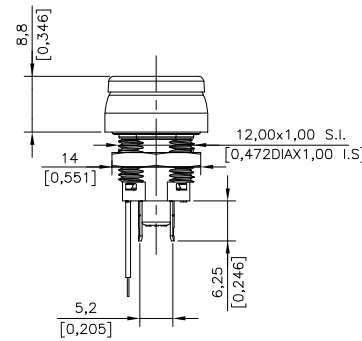


SOLDER LUG TERMINALS ILLUMINATED - NO



IGN3S

IGN3S0DB-227NXYU



CONTACT MATERIAL



- 0 Brass, gold plated
- 1 Silver

IG series

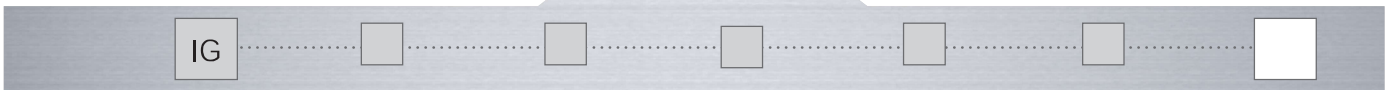
Pushbutton switches for joystick application
 • bushing Ø 12 mm • momentary NO

LED VOLTAGE



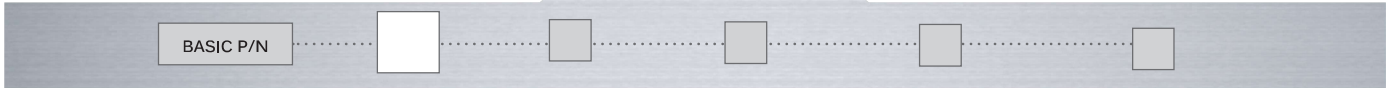
- 0 Non illuminated
- D 12VDC
- E 24VDC

LED COLORS



- M Non-illuminated
- R Red
- Y Yellow
- G Green
- B Blue
- W White
- 2A Red/green

MARKING TECHNOLOGY



- Blank No actuator
- 0 No marking
- 1 Hot stamping
- 2 Laser

CAPS Can be ordered separately, begin part number with IGA and follow the codification guide from here.

ACTUATOR COLORS



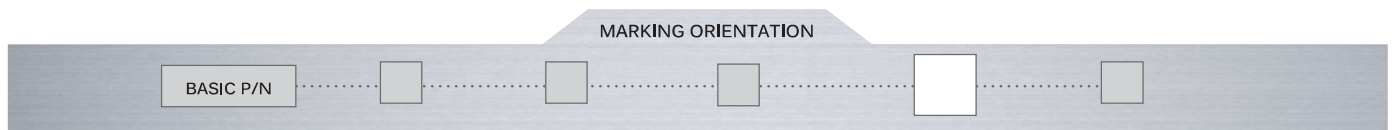
- Blank No actuator
- 1 Blue
- B Dark blue
- 2 Black
- 3 Green
- 4 Grey
- 5 Yellow
- 6 Red
- 7 White
- 9 Orange

IG series

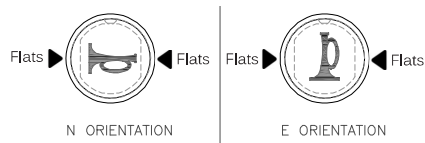
Pushbutton switches for joystick application
 • bushing Ø 12 mm • momentary NO



- Blank No actuator
- 2 Black
- 7 White

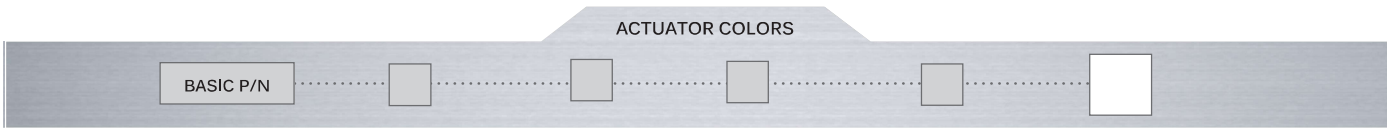


- Blank No marking
- N North
- E East

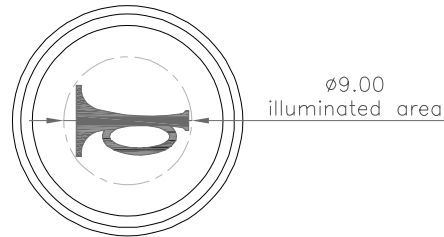


IG series

Pushbutton switches for joystick application
 • bushing Ø 12 mm • momentary NO



Logo
 Dimension



Most symbols meet the ISO 7000 standard “graphical symbols for use on equipment” (code given in bracket in the description).

Contact us for symbols not featured in the following table

Please note that all these symbols may not already exist as standard and could increase the lead time of the first order.

CODE	SYMBOL	DESCRIPTION
X41		Horn (0244)
X49		Differential lock (1662)
XAN		Loader bucket, float (1441)
XCD		Symbol 'Dot'
XKH		Illuminated ring
XYU		Symbol 'IDLE'
XN9		Symbol 'Power'